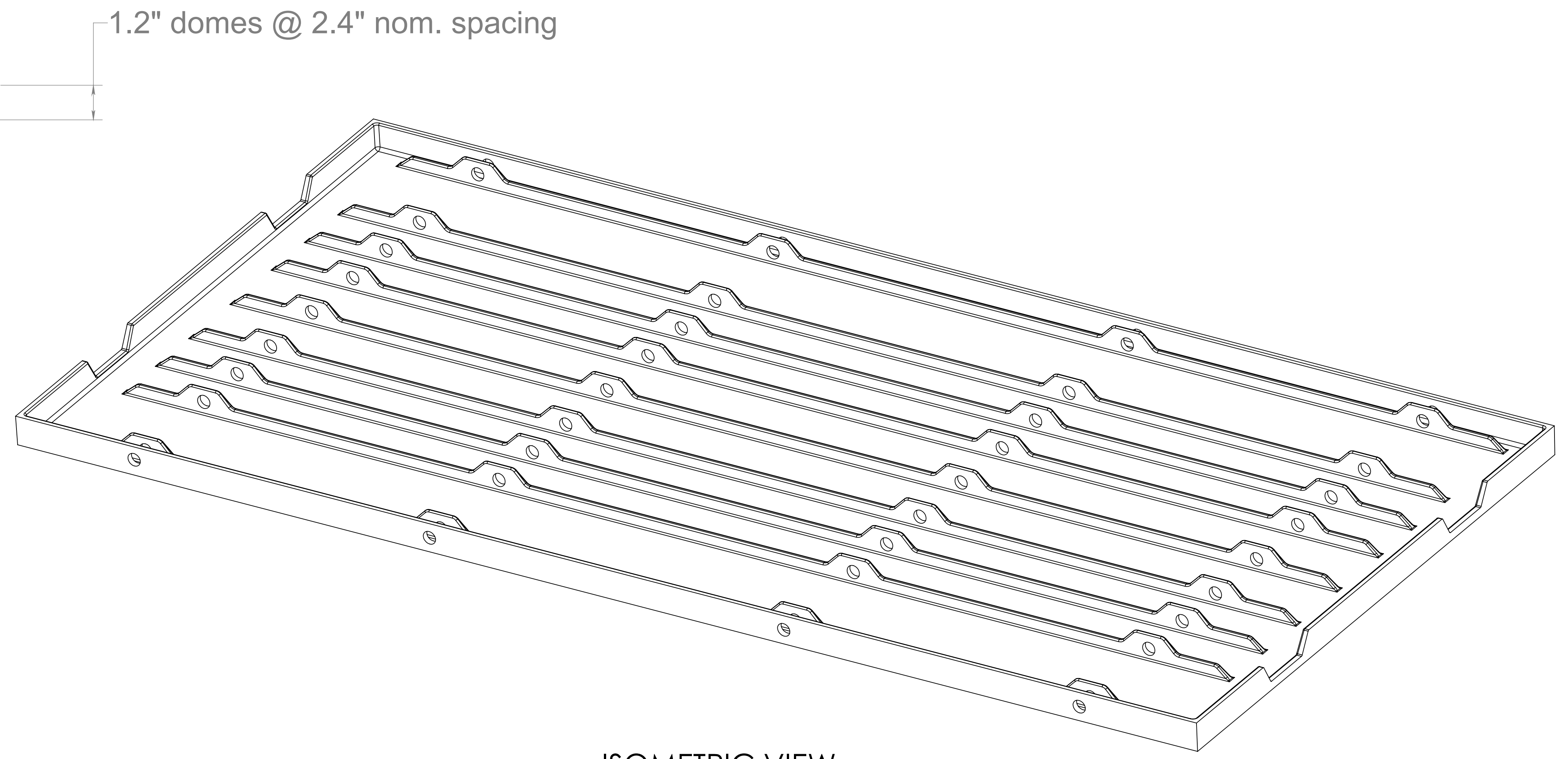
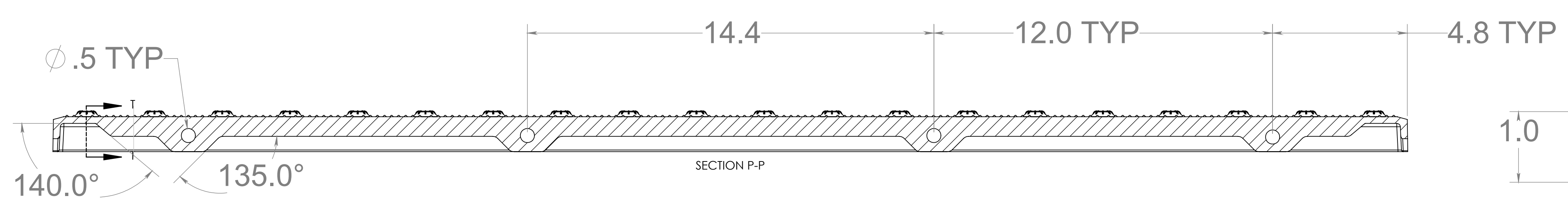


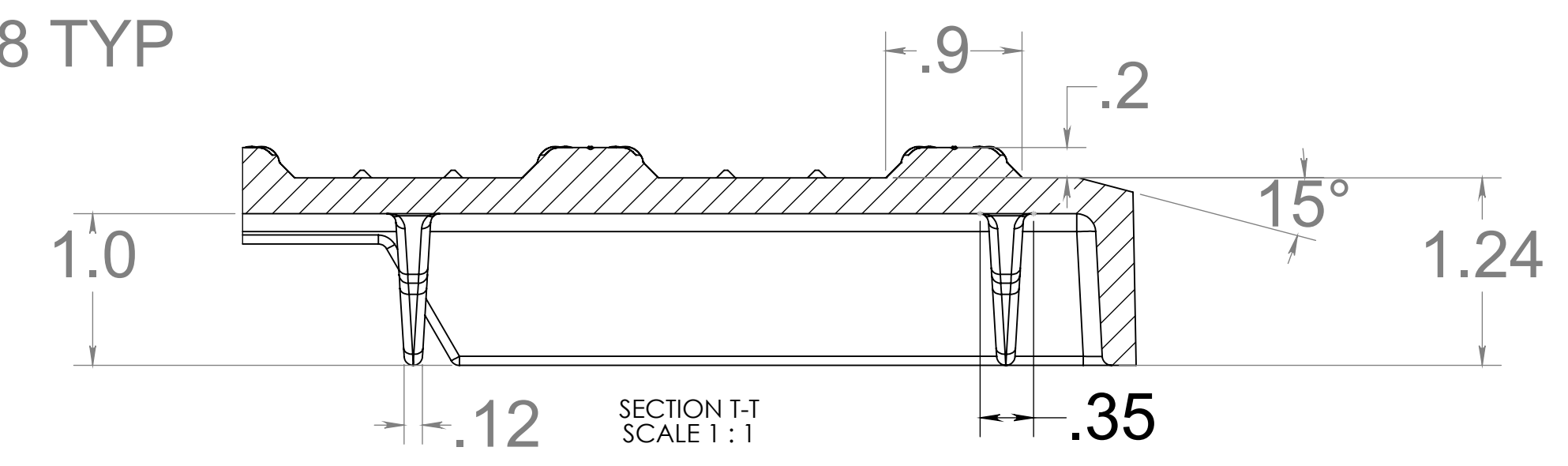
TOP VIEW



ISOMETRIC VIEW



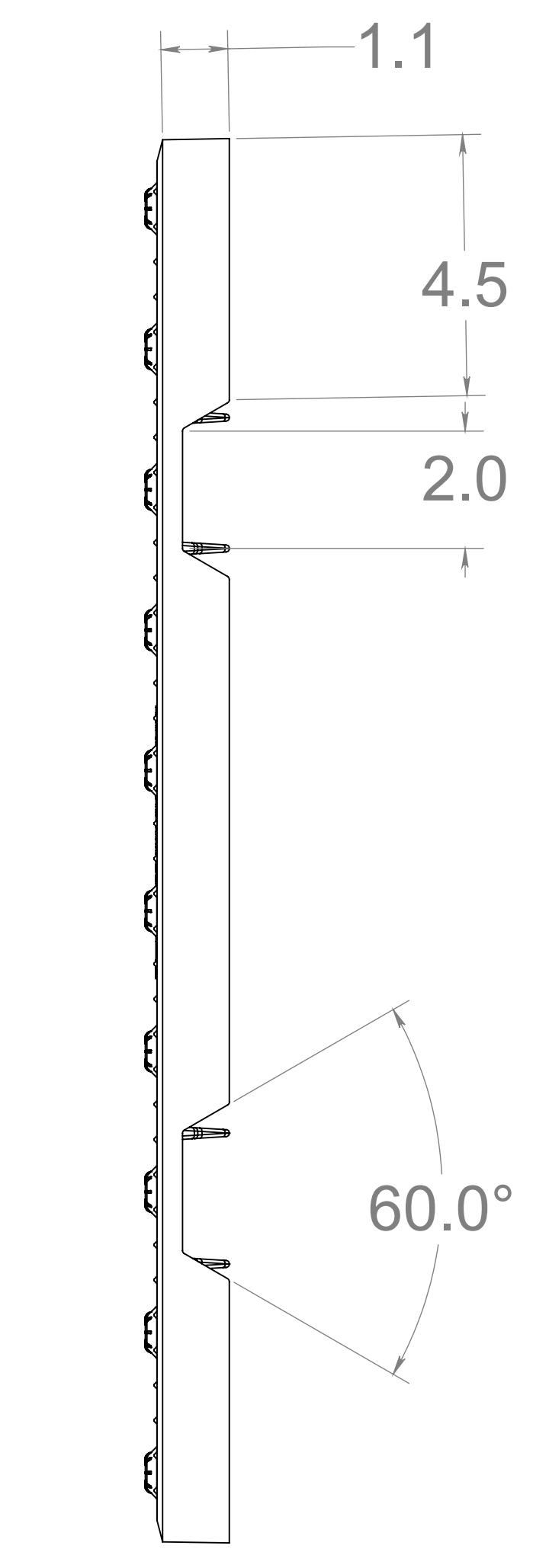
SECTION P-P



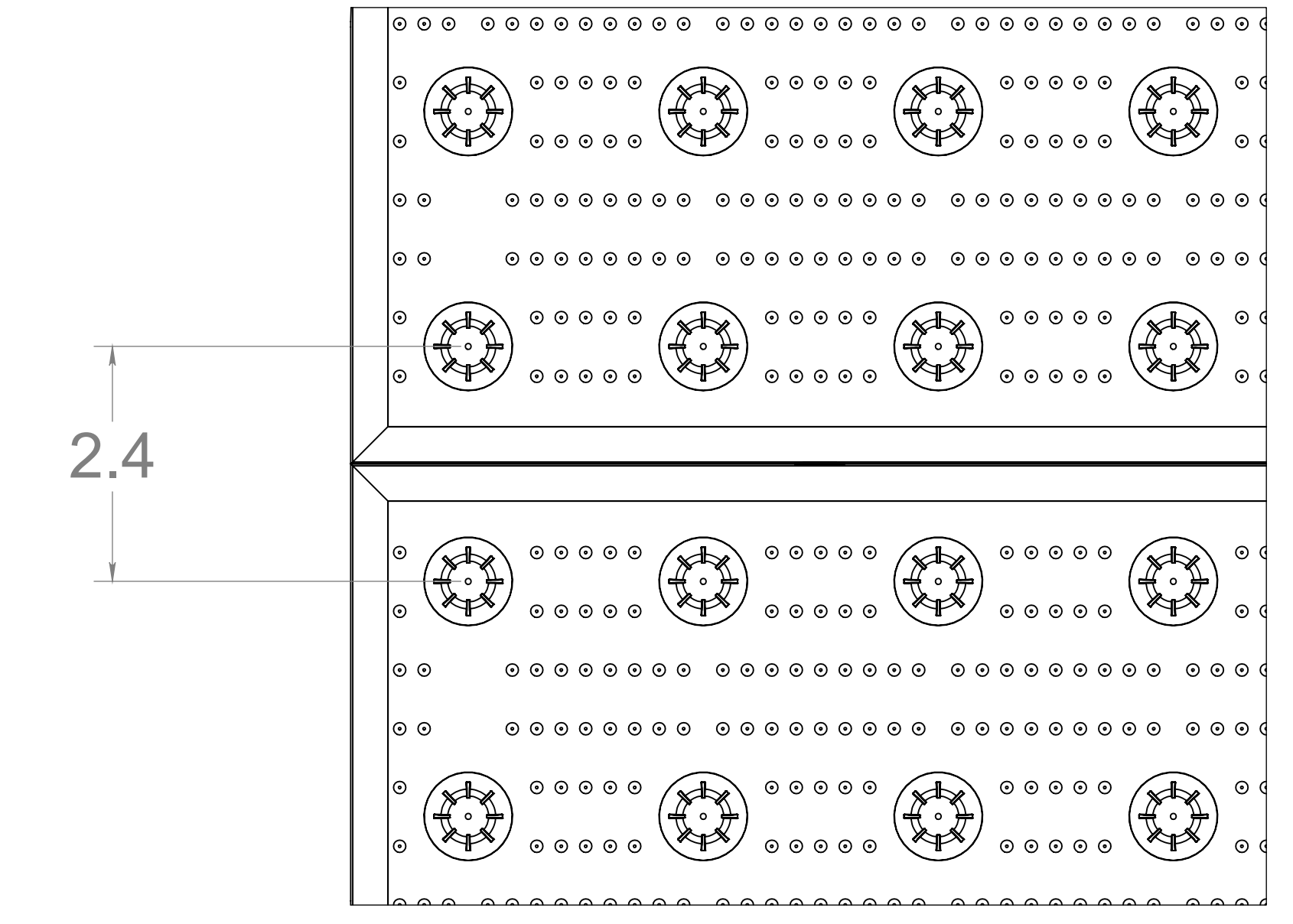
SECTION T-T
SCALE 1:1



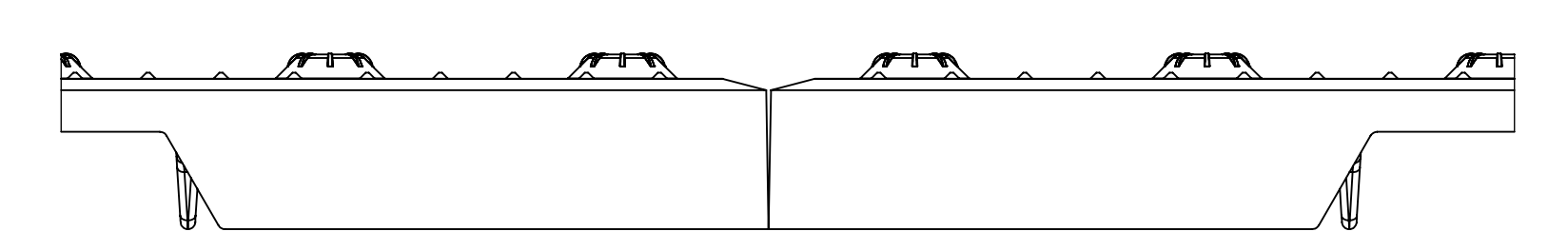
BOTTOM VIEW



SIDE VIEW



ADJACENT VIEW 2 PAVERS



ADJACENT VIEW 2 PAVERS

*TYPICAL

DWS DETECTABLE WARNING SYSTEMS
THE SOURCE FOR ADA COMPLIANCE

PROPRIETARY AND CONFIDENTIAL
THE INFORMATION CONTAINED BY THIS DRAWING IS THE SOLE PROPERTY OF DWS. ANY REPRODUCTION OR TRANSMISSION OF THIS INFORMATION WITHOUT THE WRITTEN PERMISSION OF DWS SHALL BE PROHIBITED.

DETECTABLE-WARNING.COM
866-999-7452

DWG. NO. AlertCast Non Replacable 24x48
DATE: 1/10/2024 SCALE: 1:2.5 SHEET 1 OF 1