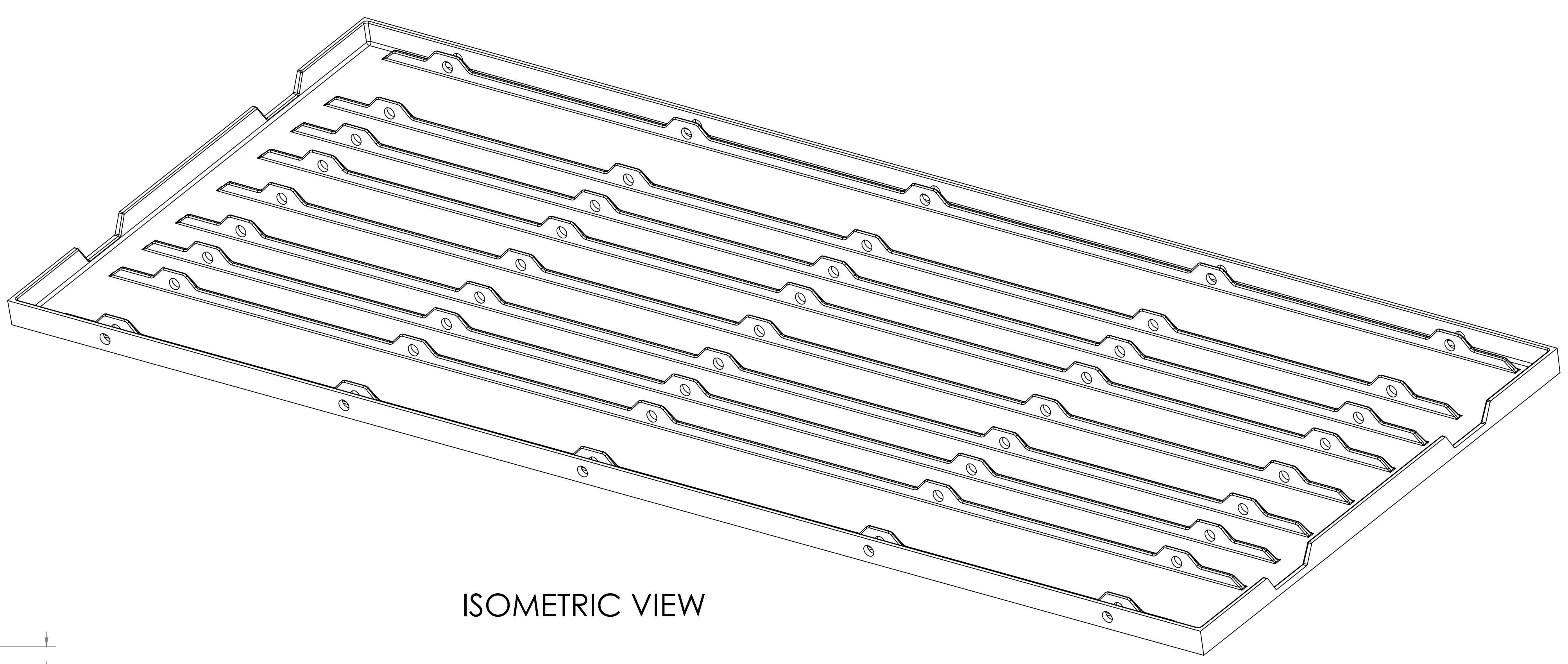
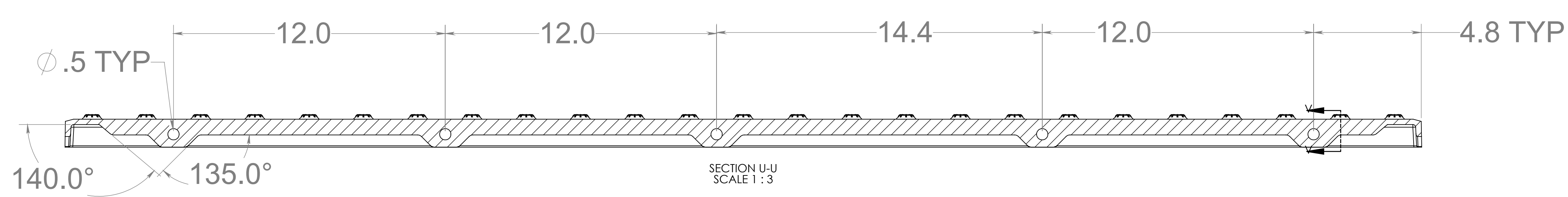


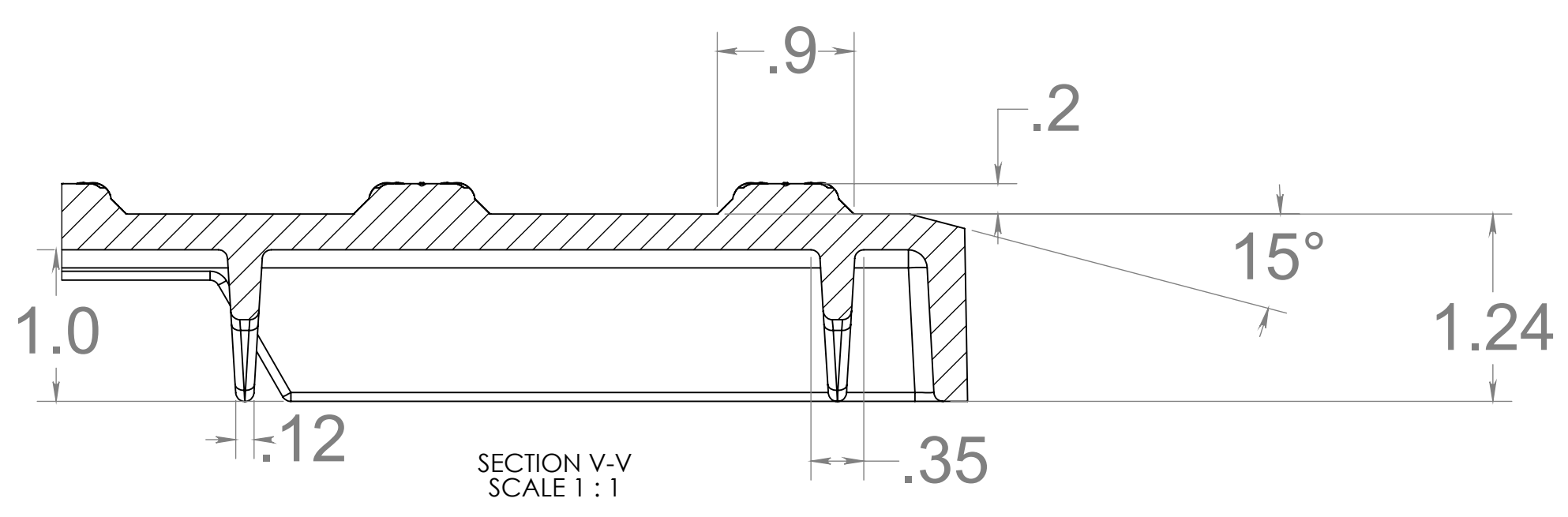
TOP VIEW



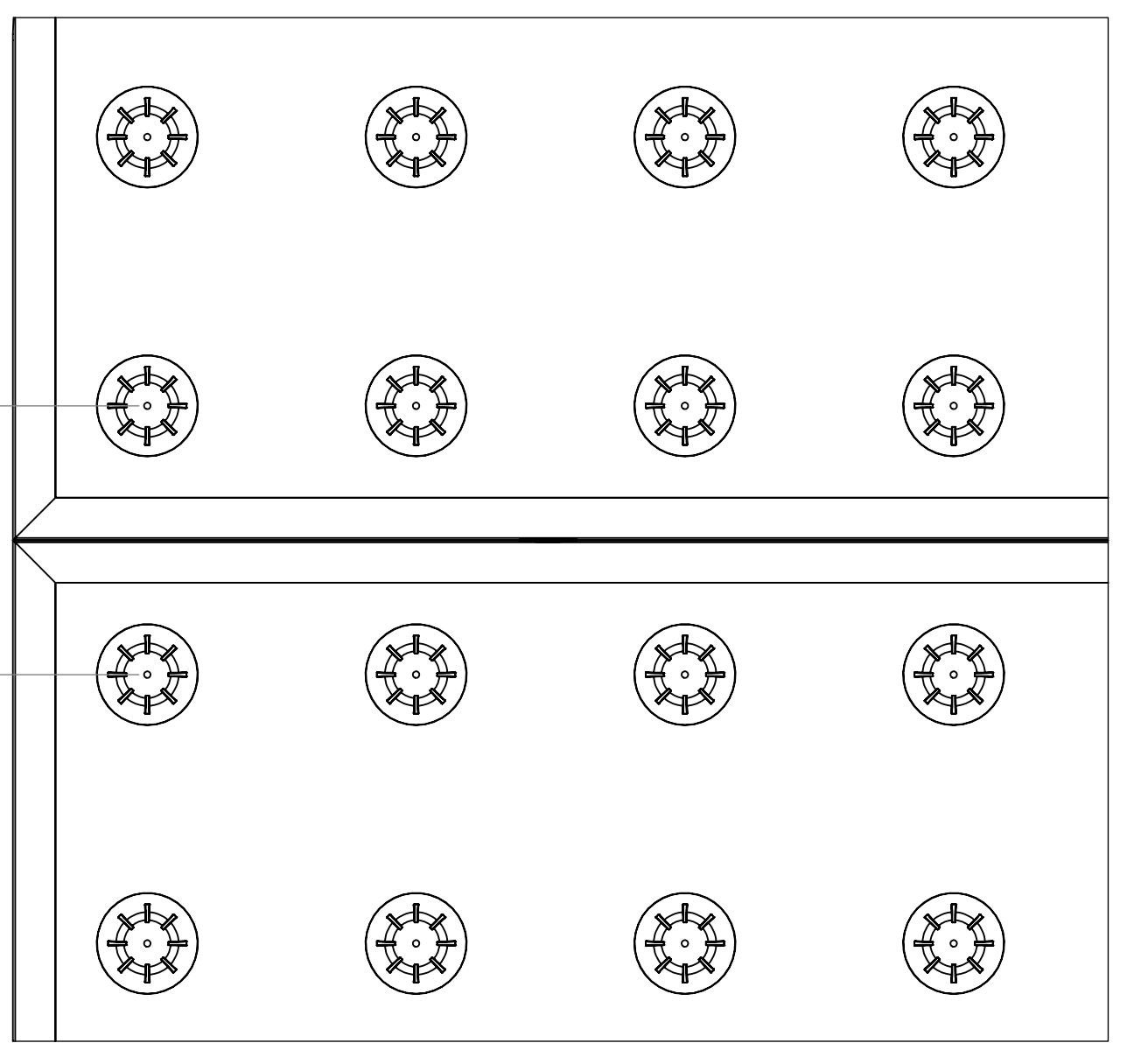
ISOMETRIC VIEW



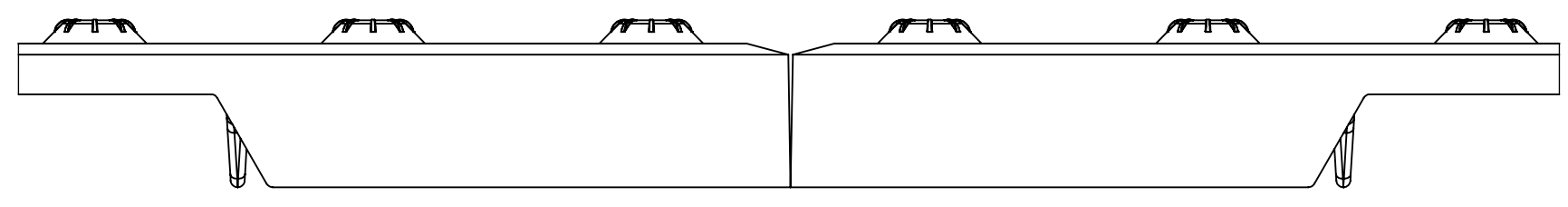
SECTION U-U  
SCALE 1:3



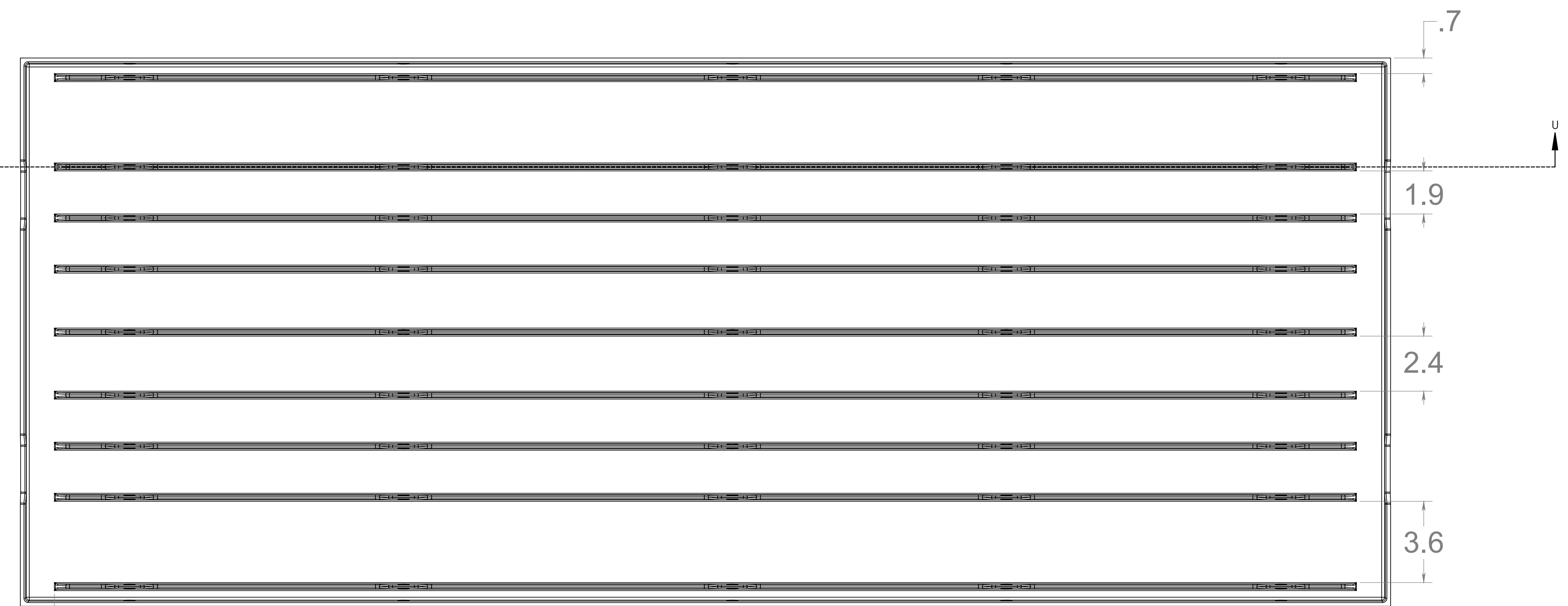
SECTION V-V  
SCALE 1:1



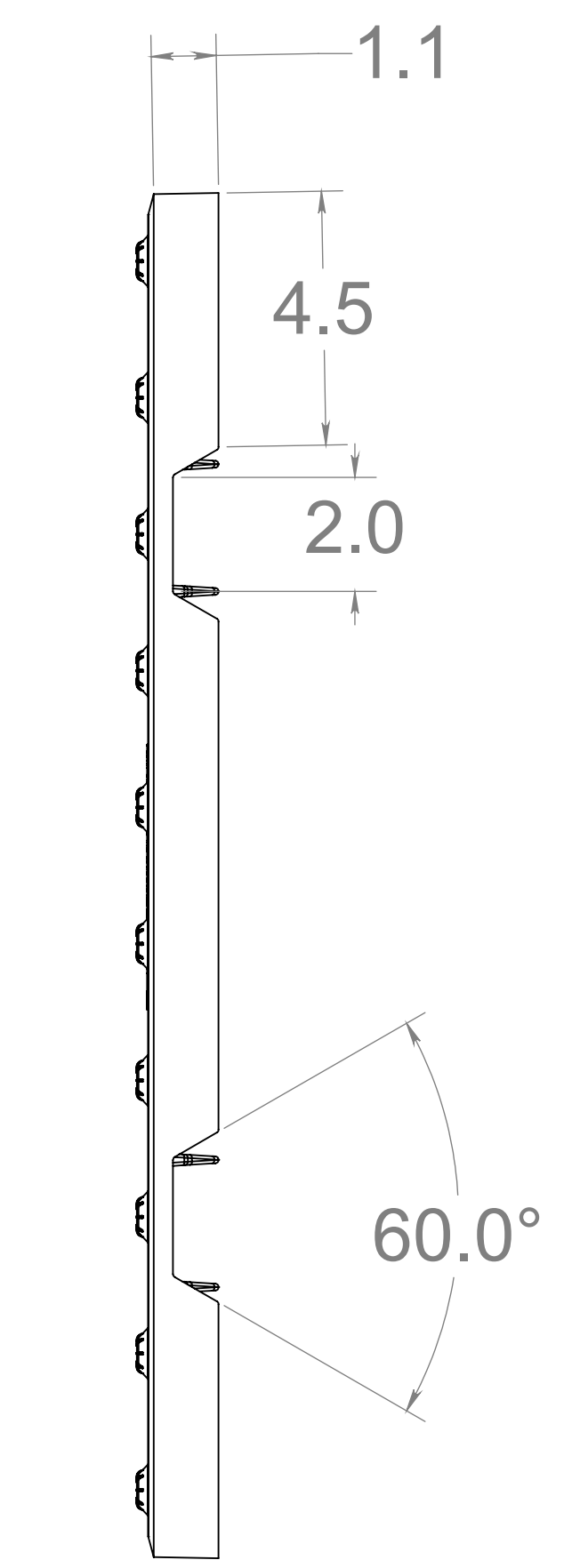
ADJACENT VIEW 2 PAVERS



ADJACENT VIEW 2 PAVERS



BOTTOM VIEW



SIDE VIEW

\*TYPICAL

**DWS DETECTABLE WARNING SYSTEMS**  
THE SOURCE FOR ADA COMPLIANCE

DETECTABLE-WARNING.COM  
866-999-7452

DWG. NO. AlertCast Non Replacable 24x60  
DATE: 1/10/2024 SCALE: 1:4

REV. A  
SHEET 1 OF 1

PROPRIETARY AND CONFIDENTIAL  
THE INFORMATION CONTAINED IN THIS DRAWING IS THE SOLE PROPERTY OF DWS. ANY REPRODUCTION IN WHOLE OR IN PART WITHOUT THE WRITTEN PERMISSION OF DWS, INC. IS PROHIBITED.