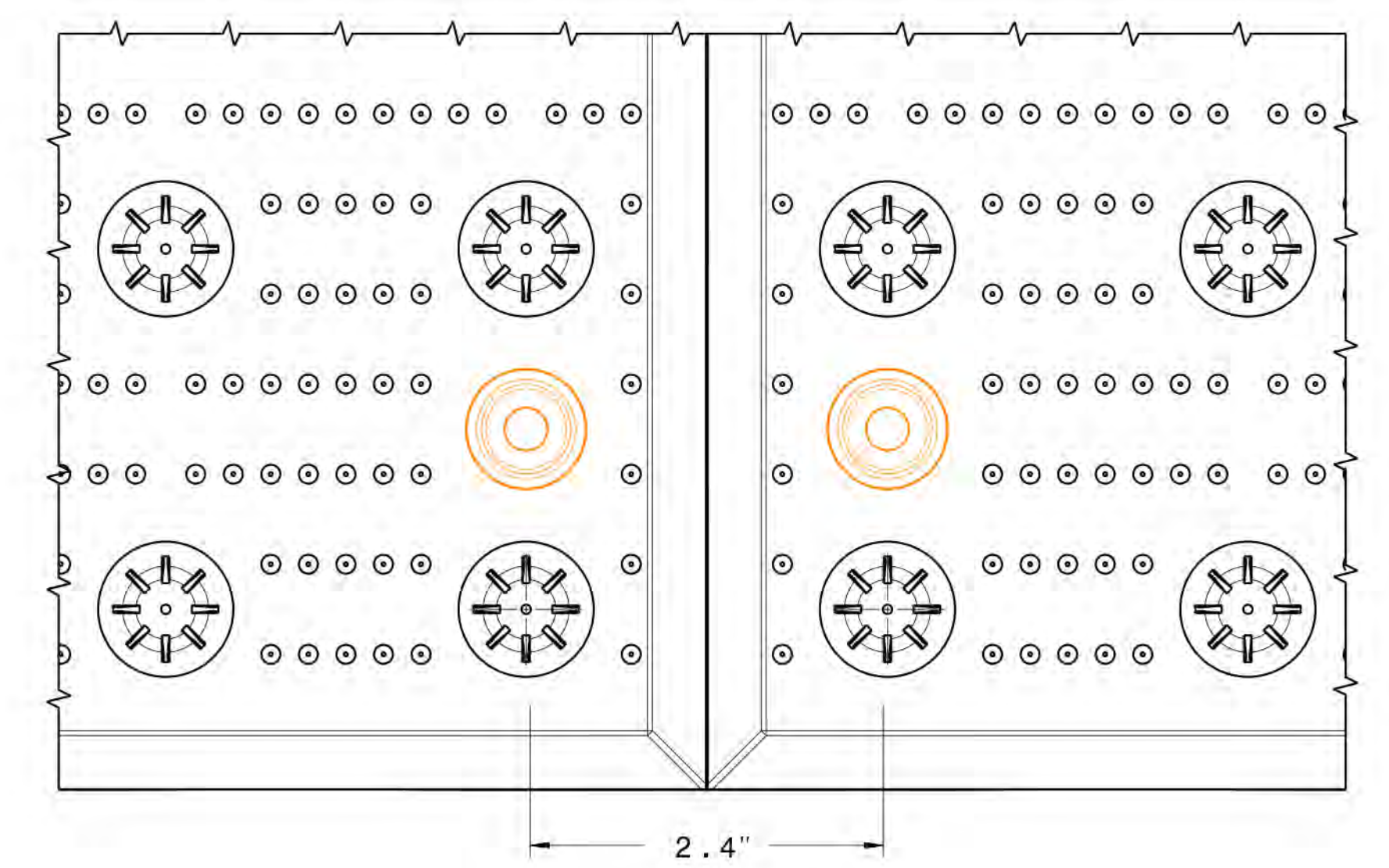
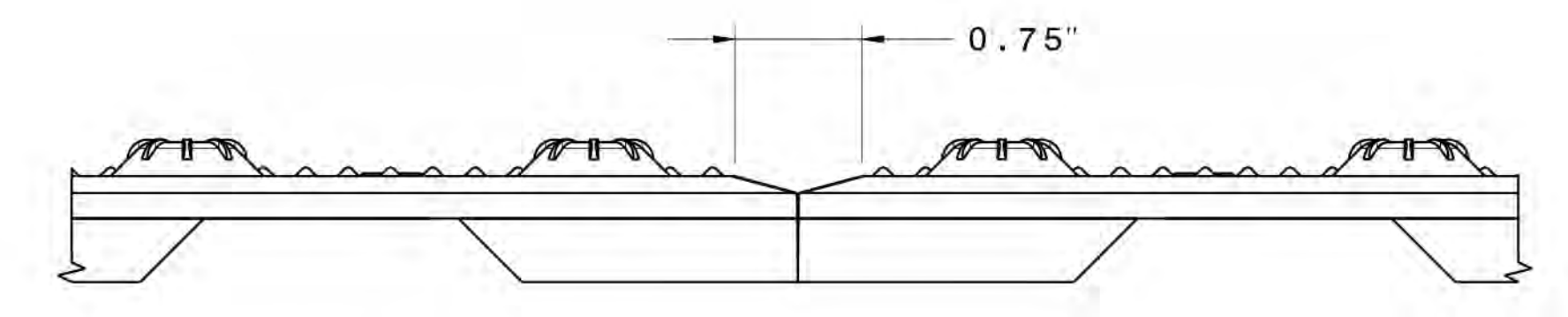


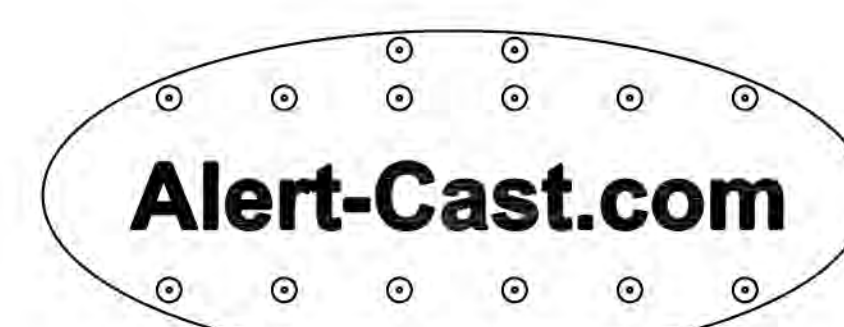
Fastener Location
12 places
(see fastener detail)



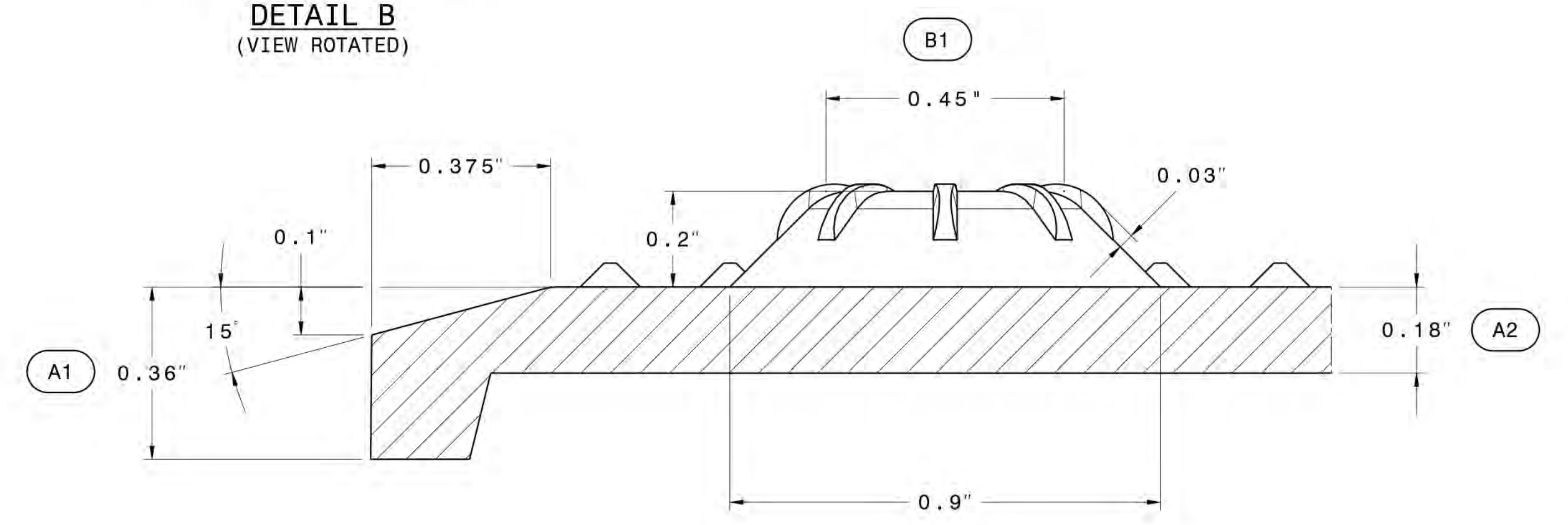
PLAN VIEW: 2-PANEL



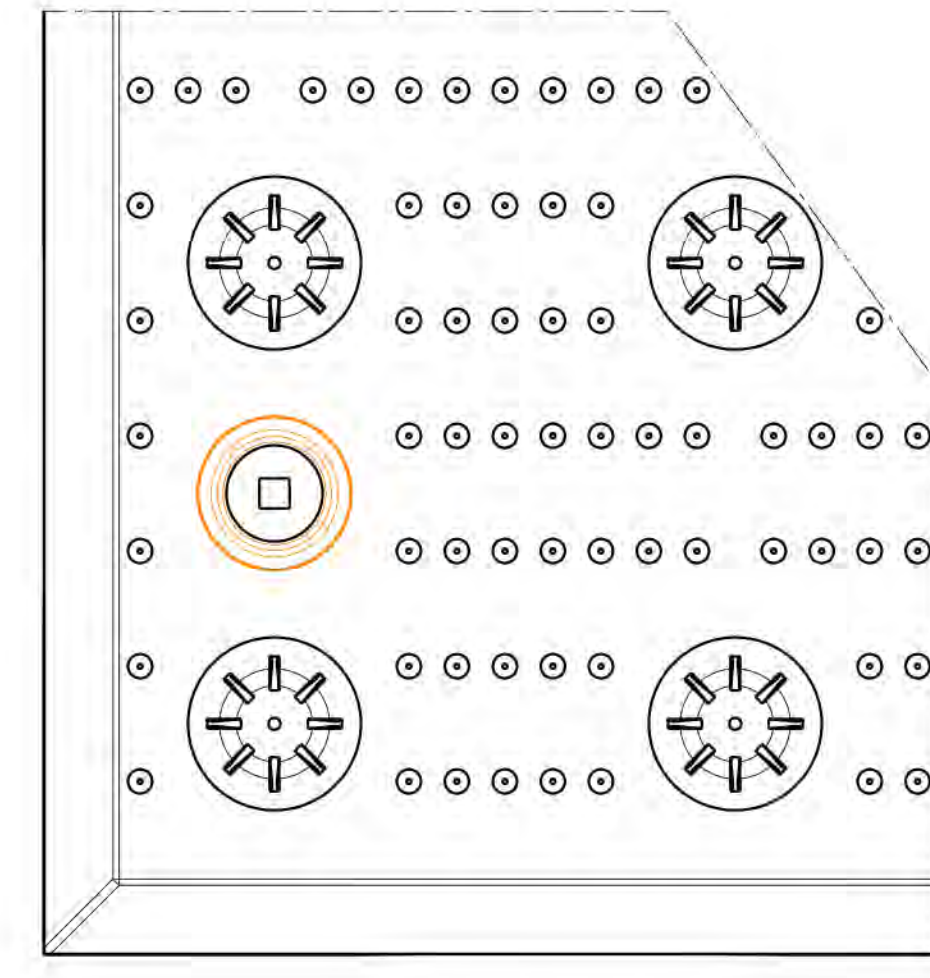
SIDE VIEW: 2-PANEL



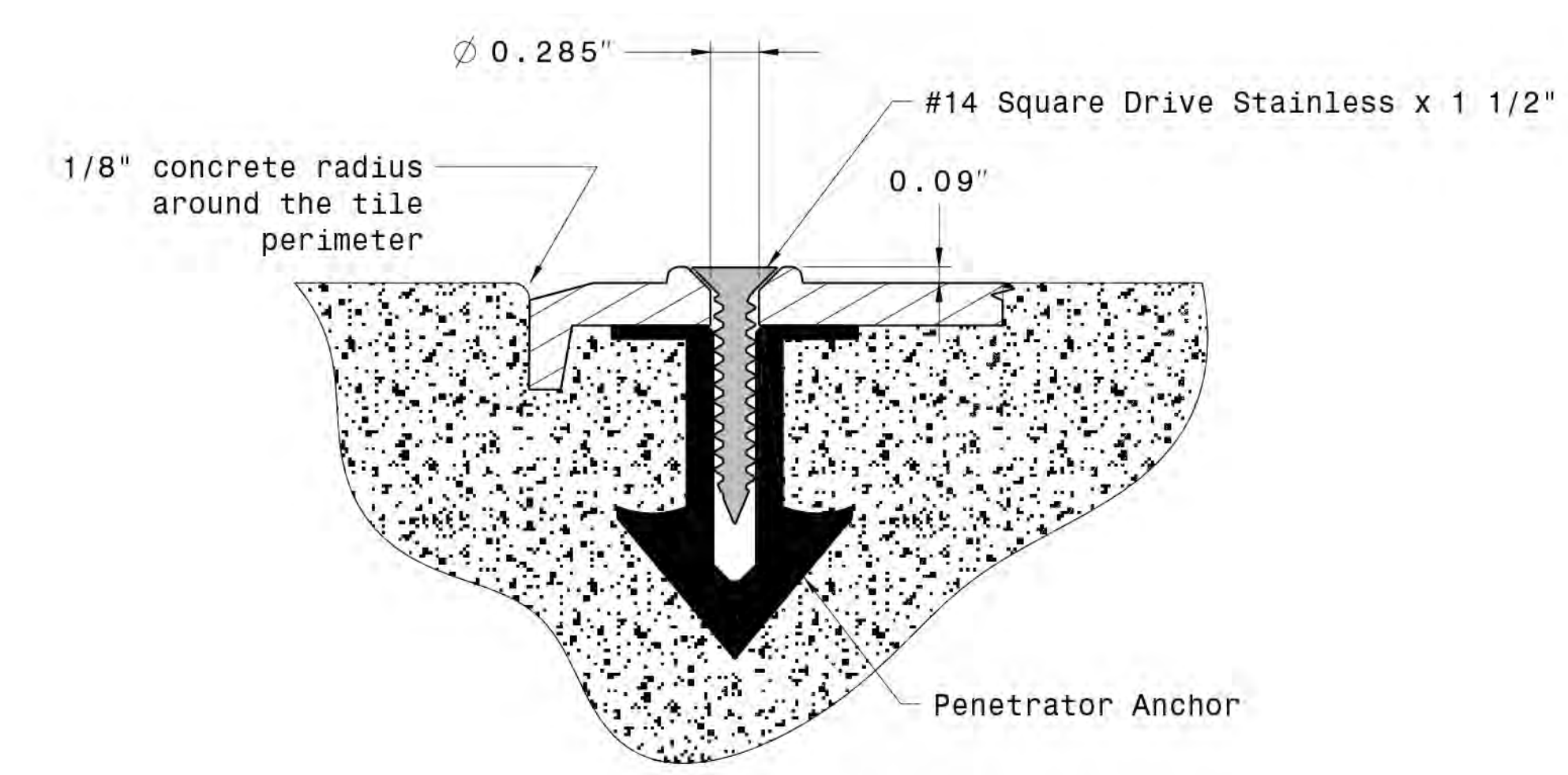
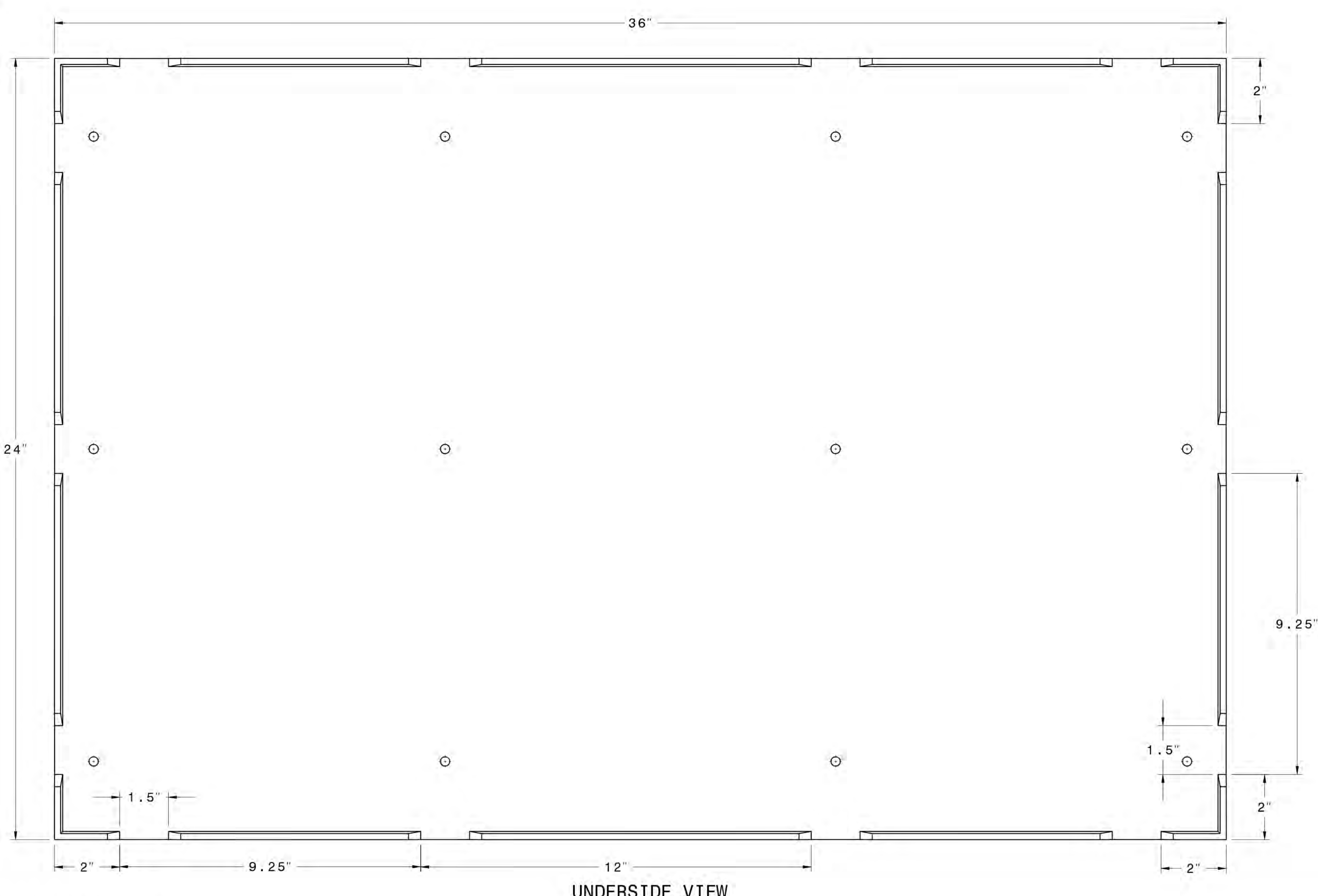
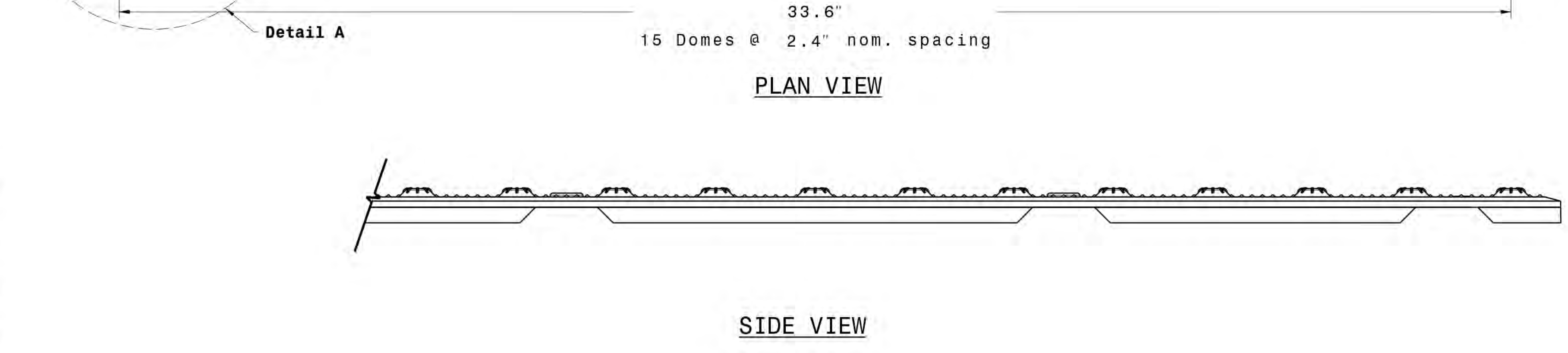
DETAIL B
(VIEW ROTATED)



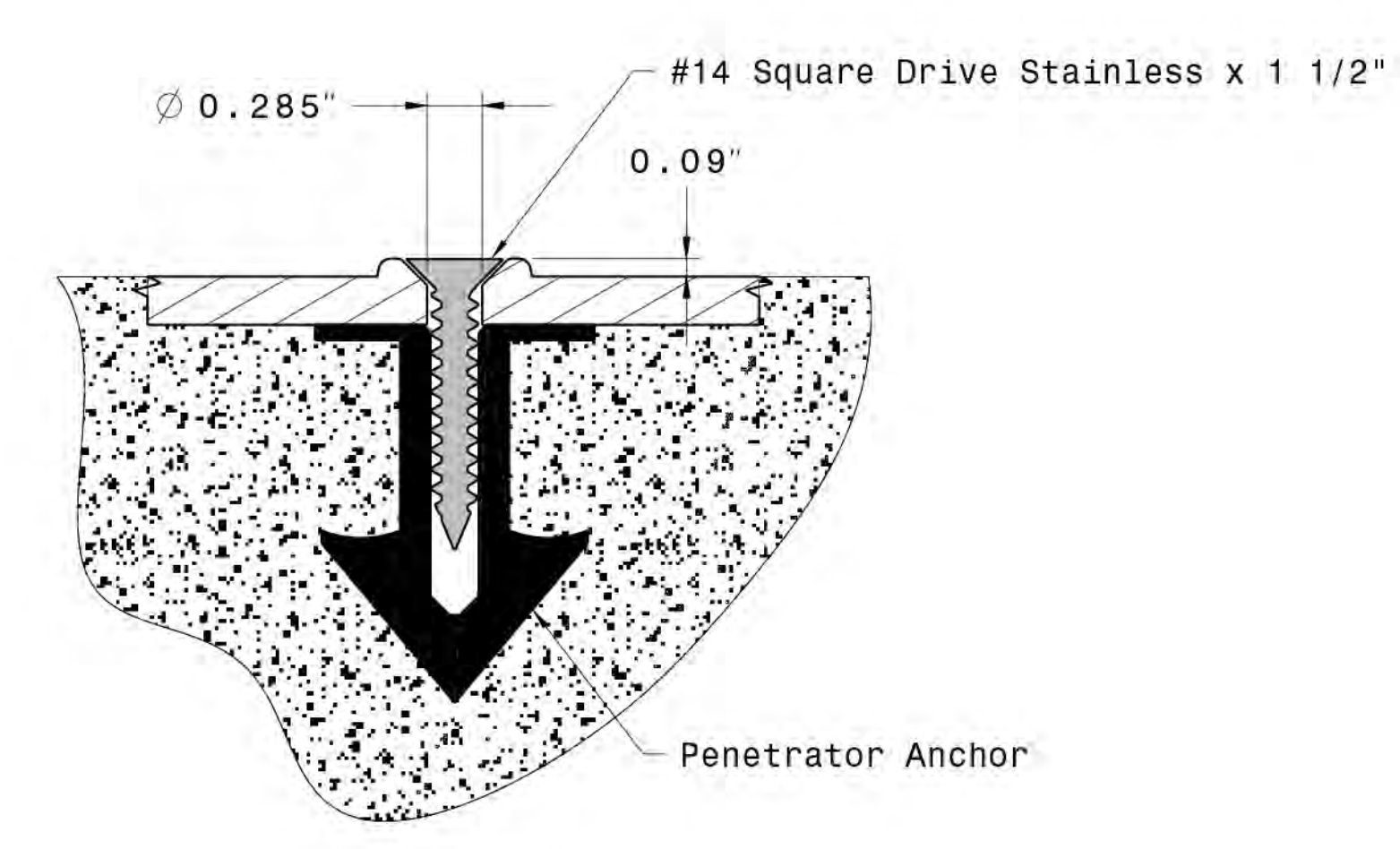
Section view A-A



DETAIL A
(Field area micro-domes closeup)



TYPICAL PERIMETER FASTENER DETAIL



TYPICAL INTERIOR FASTENER DETAIL

www.alerttile.com
877-232-6287

SUBJECT
alertcast
Detectable Warning System
TRUNCATED DOME, DETECTABLE
WARNING TACTILE SURFACE

MATERIAL LIST

ITEM	Description	PART No.	QTY
1	AlertCast Panel	AC-2436-XX	1
2	Stainless Screw	Alert Screw	12
3	Penetrator Anchor	PA-1	12

REVISION HISTORY

REV.	DATE	DESCRIPTION	APPROVED
A	10/12/11	1-Dimension was 0.625"	AM
B	10/19/12	1-Dimension was 0.25"	AM
		2-Dimension was 0.25"	
		Added Dome dimension	AM

APPROVALS

DESIGNED	CHKD	DATE
AM	AM	05/05/2010
RDD	RDD	05/11/2010
AM	AM	05/14/2010

UNLESS OTHERWISE SPECIFIED DIMENSIONS ARE IN INCHES TOLERANCES: +/- 0.050" THEIR ANGLE PROJECTION: DO NOT SCALE PRINT

PROJECT
alertcast
Detectable Warning System
TRUNCATED DOME, DETECTABLE
WARNING TACTILE SURFACE
2x3 CAST IN PLACE $\frac{1}{8}$ " RADIUS
INLINE DOME TILE DRAWING.

DRAWING NUMBER: AC-2436 REV: B