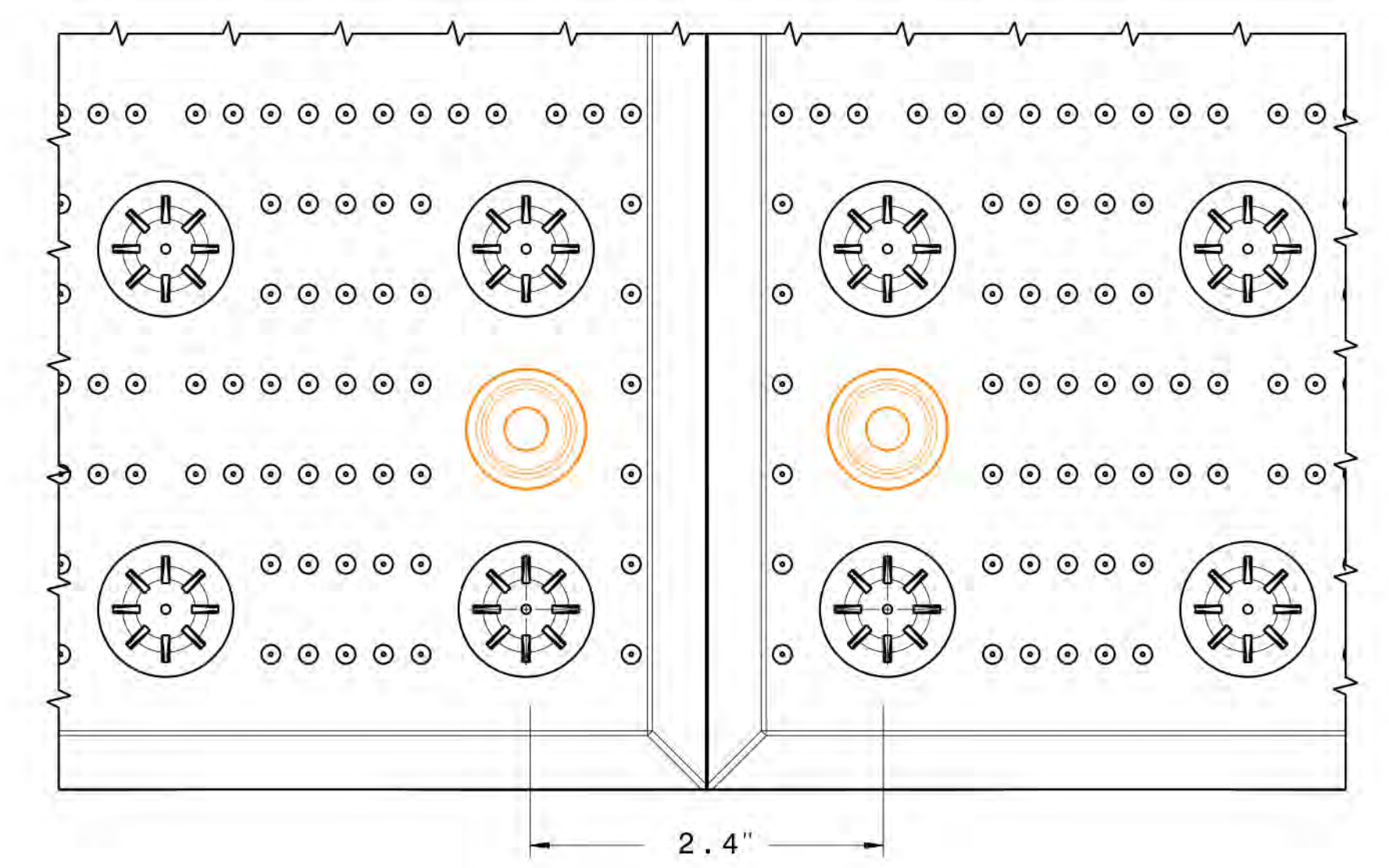
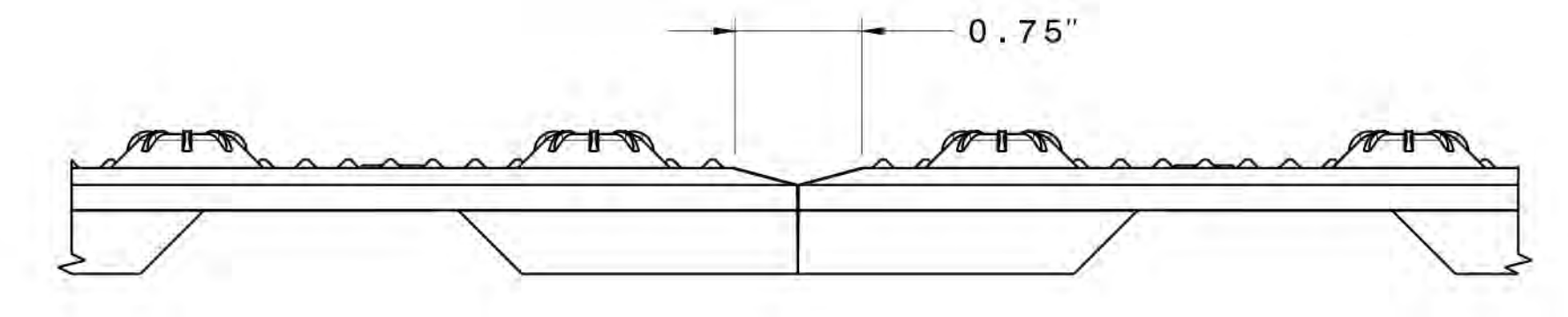


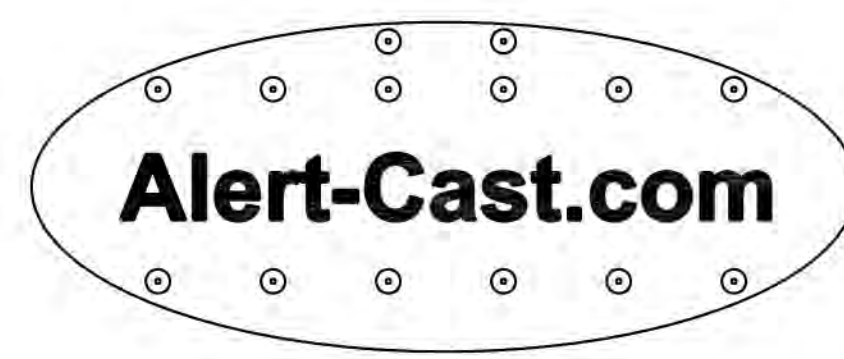
Fastener Location
15 places
(see fastener detail)



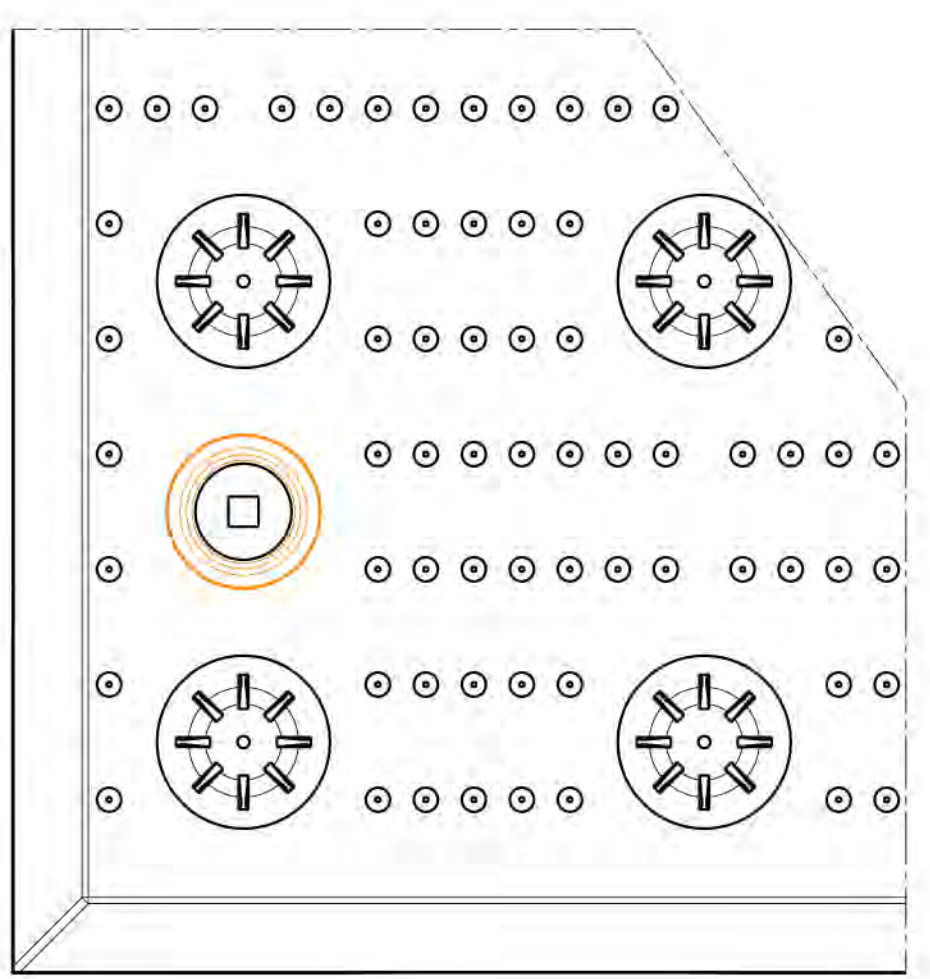
PLAN VIEW: 2-PANEL



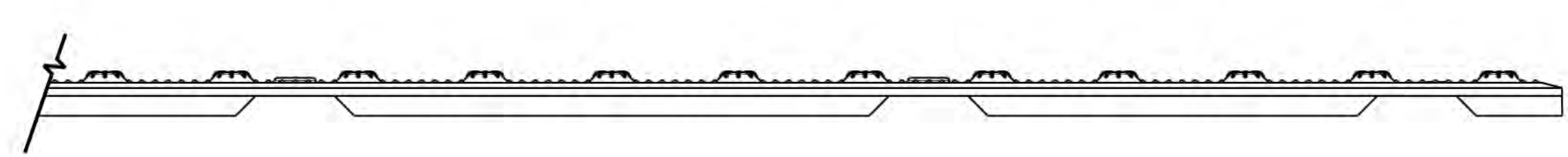
SIDE VIEW: 2-PANEL



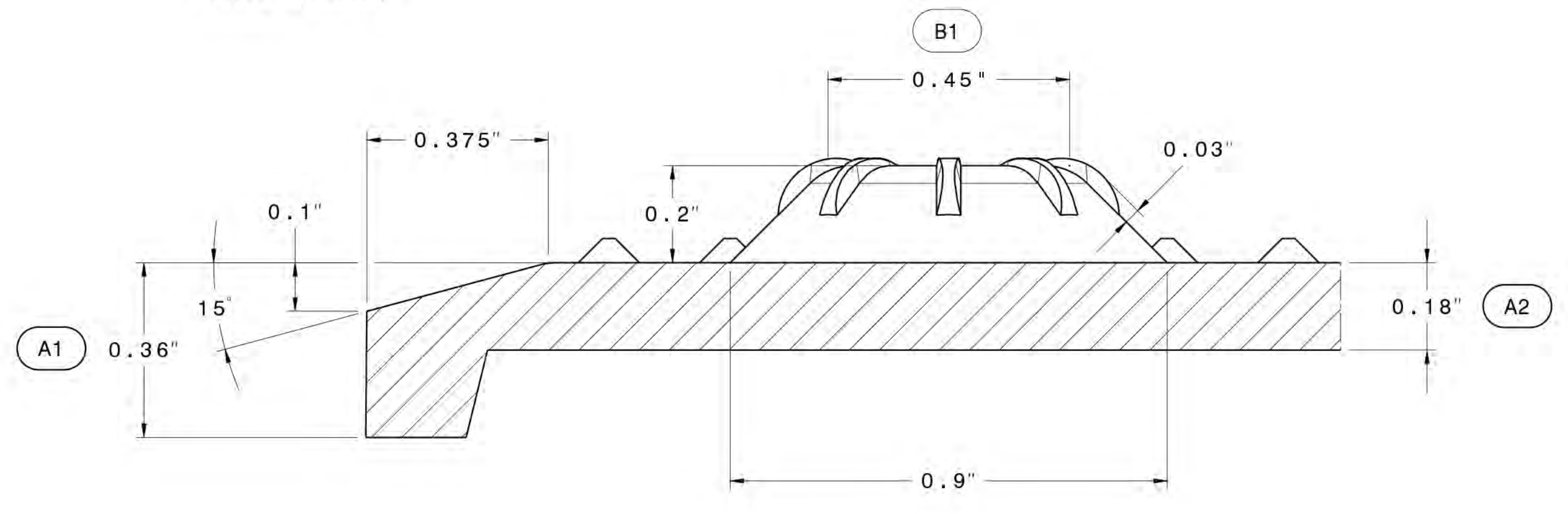
DETAIL B
(VIEW ROTATED)



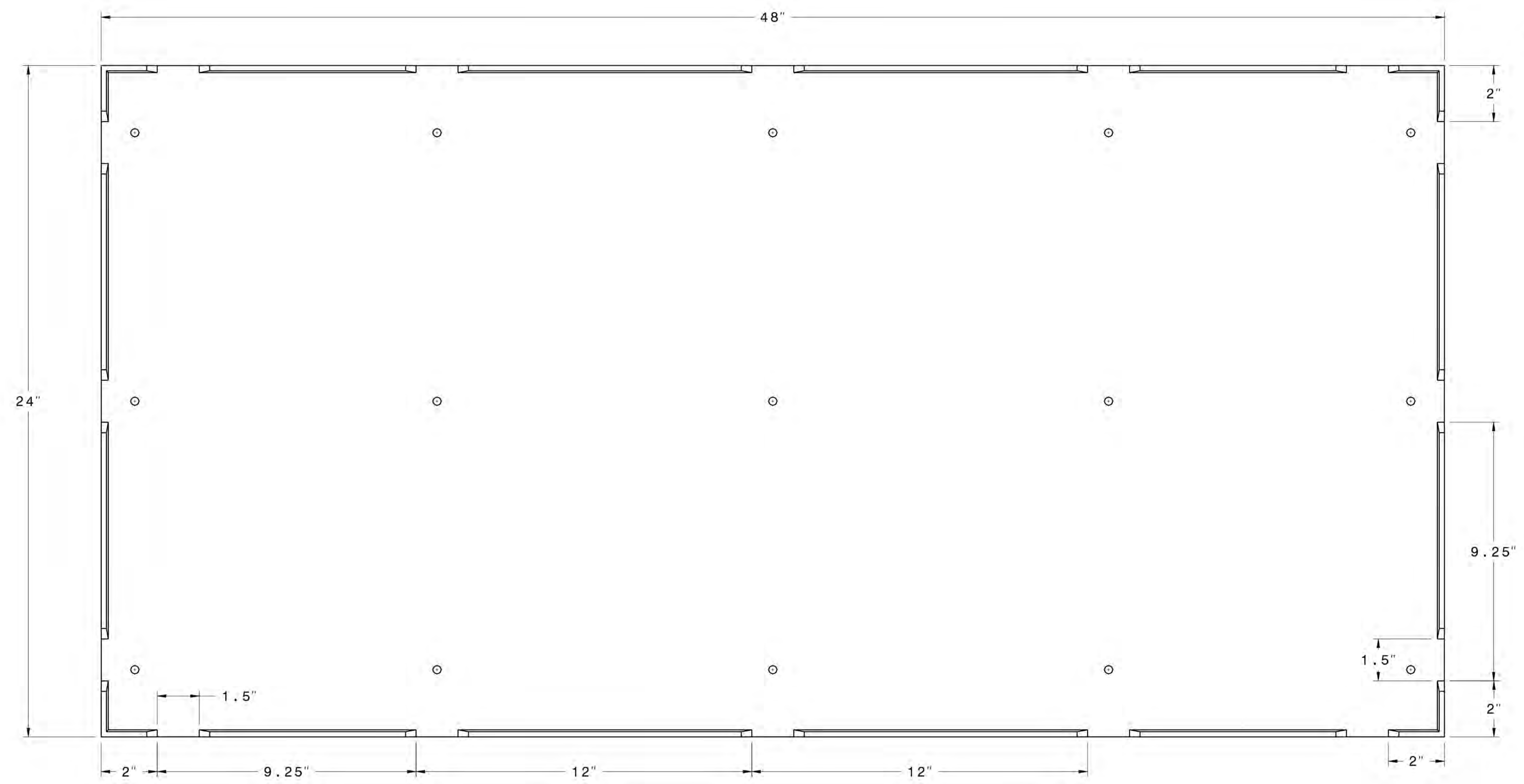
DETAIL A
(Field area micro-domes closeup)



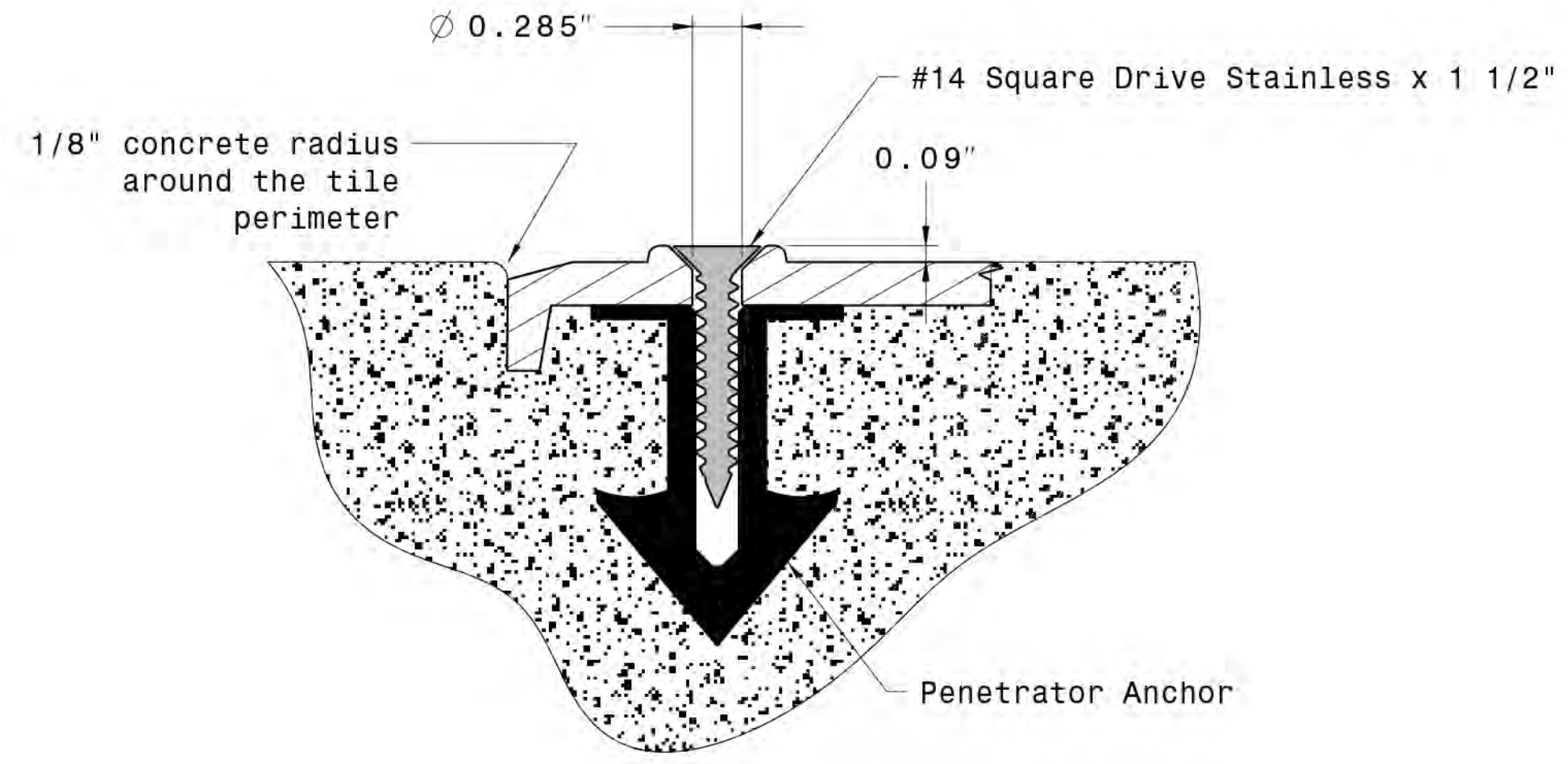
SIDE VIEW



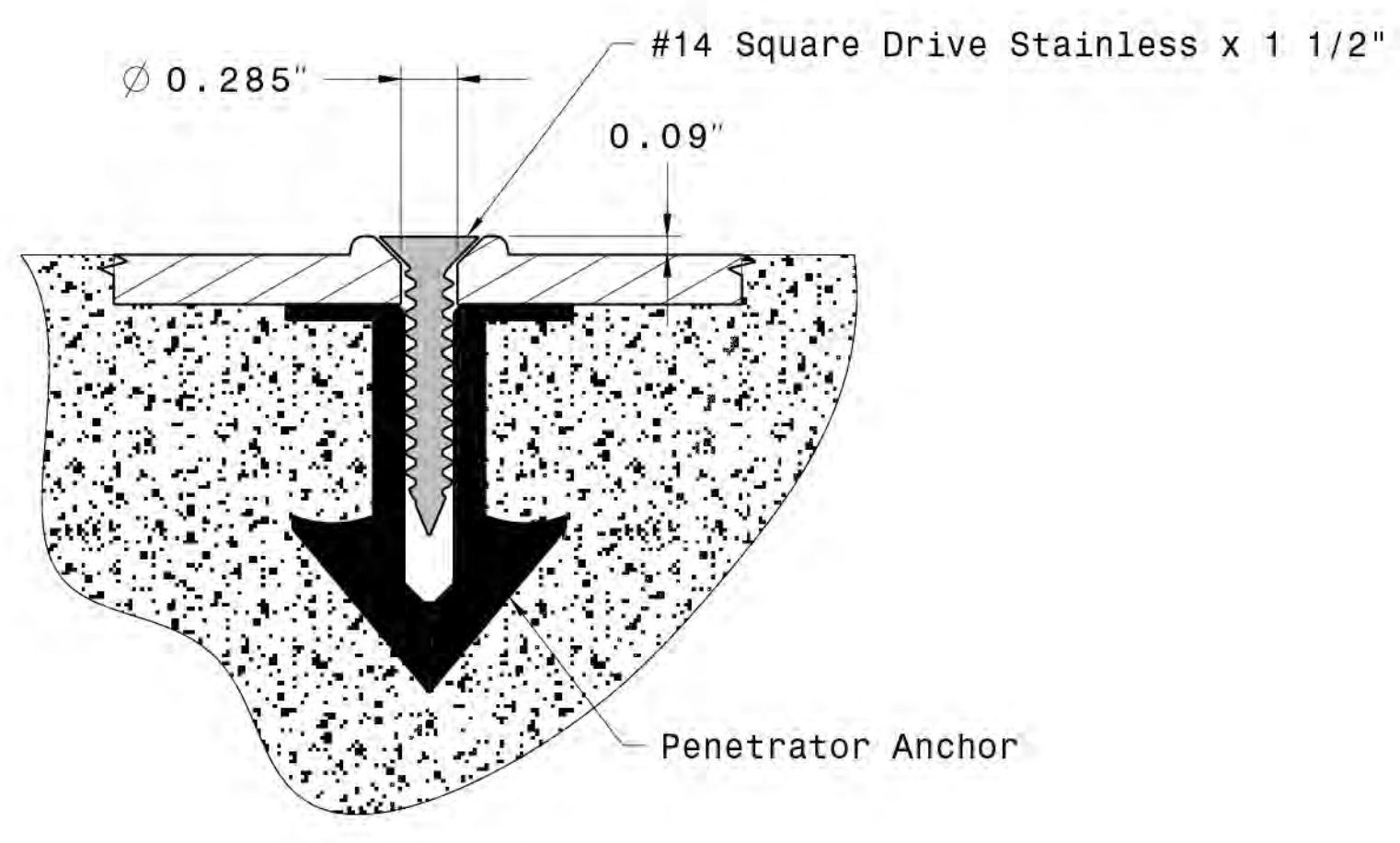
Section view A-A



UNDERSIDE VIEW



TYPICAL PERIMETER FASTENER DETAIL



TYPICAL INTERIOR FASTENER DETAIL

www.alerttile.com
877-232-6287

SUBJECT
alertcast
Detectable Warning System
TRUNCATED DOME, DETECTABLE
WARNING TACTILE SURFACE

MATERIAL LIST

ITEM	Description	PART No.	QTY
1	AlertCast Panel	AC-2448-XX	1
2	Stainless Screw	Alert Screw	15
3	Penetrator Anchor	PA-1	15

REVISION HISTORY

REV.	DATE	DESCRIPTION	APPROVED
A	10/12/11	1-Dimension was 0.625"	AM
		2-Dimension was 0.25"	
B	10/22/12	1-Added Dome dimension	AM

APPROVALS

DESIGNED	CHKD	INT	DATE
AM	AM		05/05/2010
RDD			05/11/2010
AM			05/14/2010

UNLESS OTHERWISE SPECIFIED
DIMENSIONS ARE IN INCHES
TOLERANCES: +/- 0.050"
ANGLES: +/- 1 deg.

PROJECT
alertcast
Detectable Warning System
TRUNCATED DOME, DETECTABLE
WARNING TACTILE SURFACE
2x4 CAST IN PLACE $\frac{1}{8}$ " RADIUS
INLINE DOME TILE DRAWING.

DRAWING NUMBER: AC-2448 REV: B