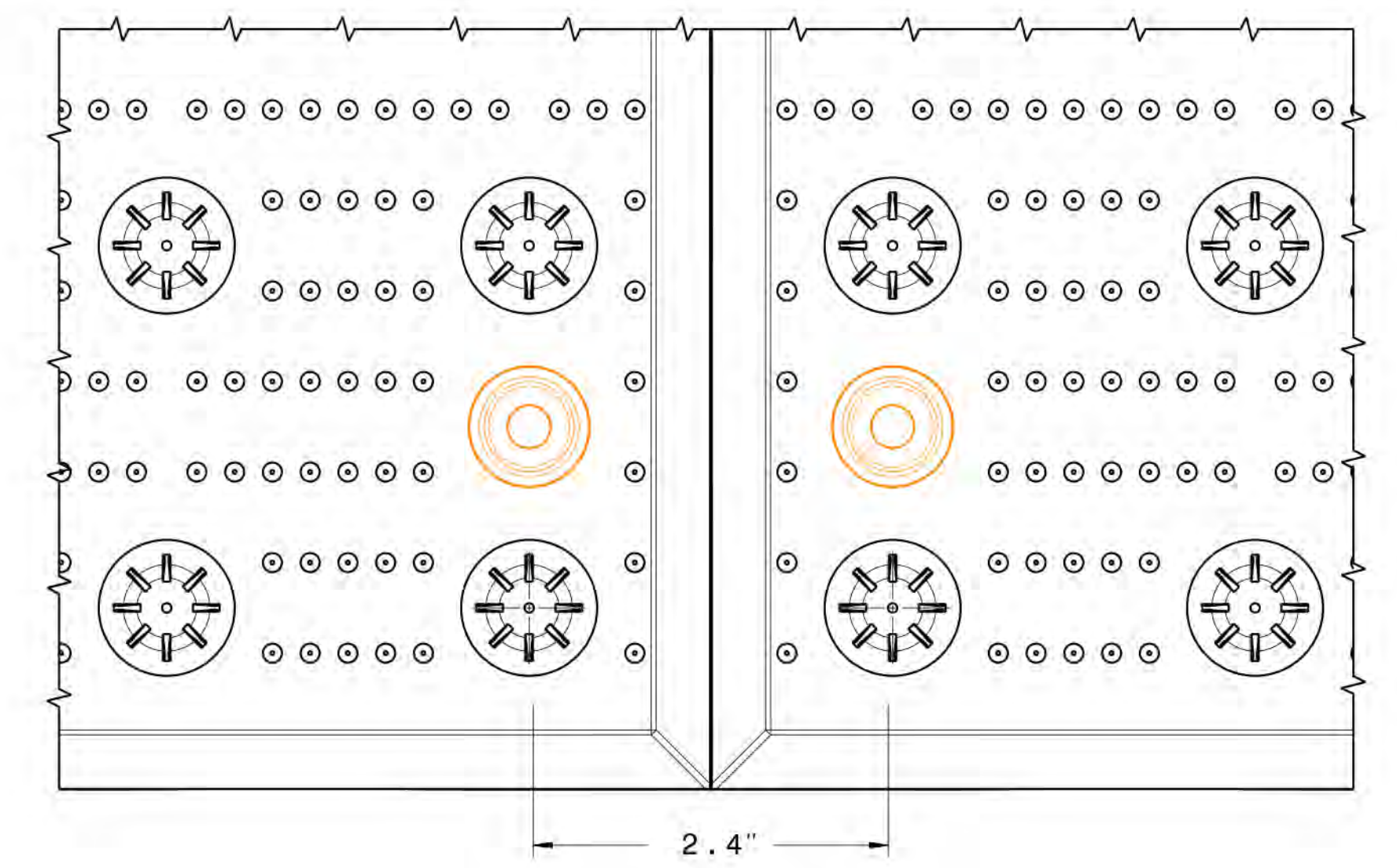
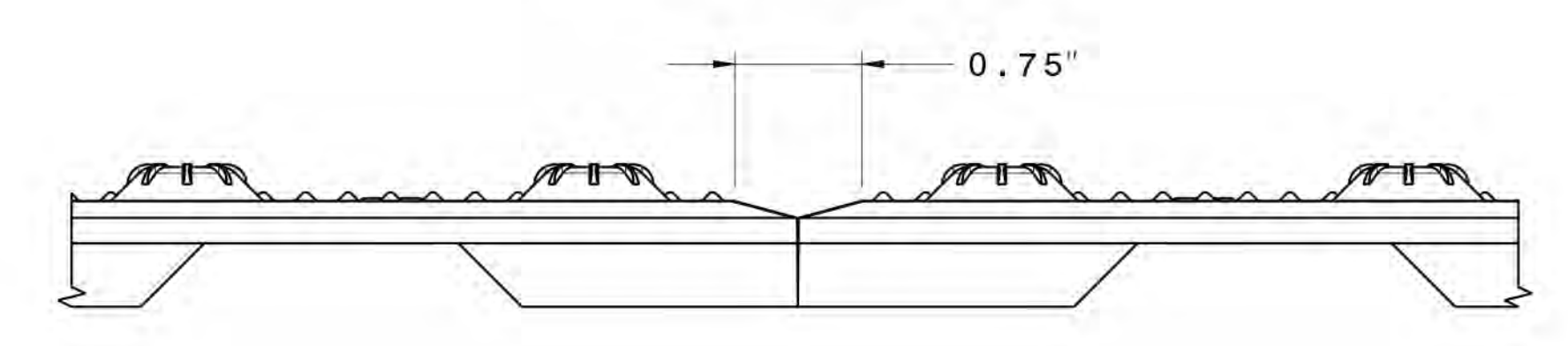


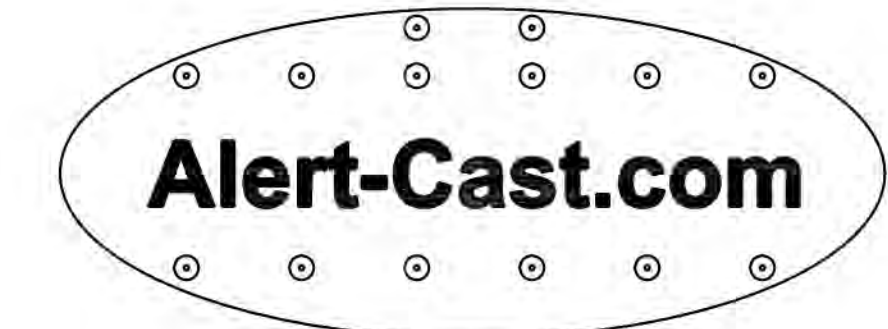
Fastener Location
18 places
(see fastener detail)



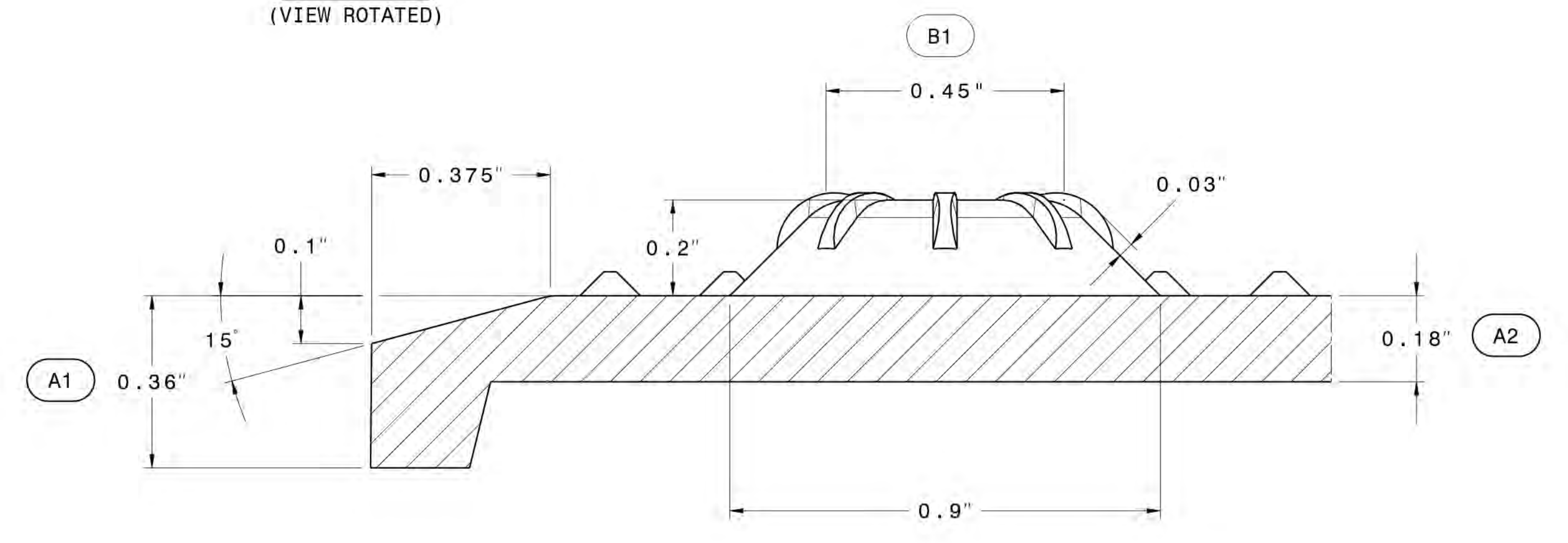
PLAN VIEW: 2-PANEL



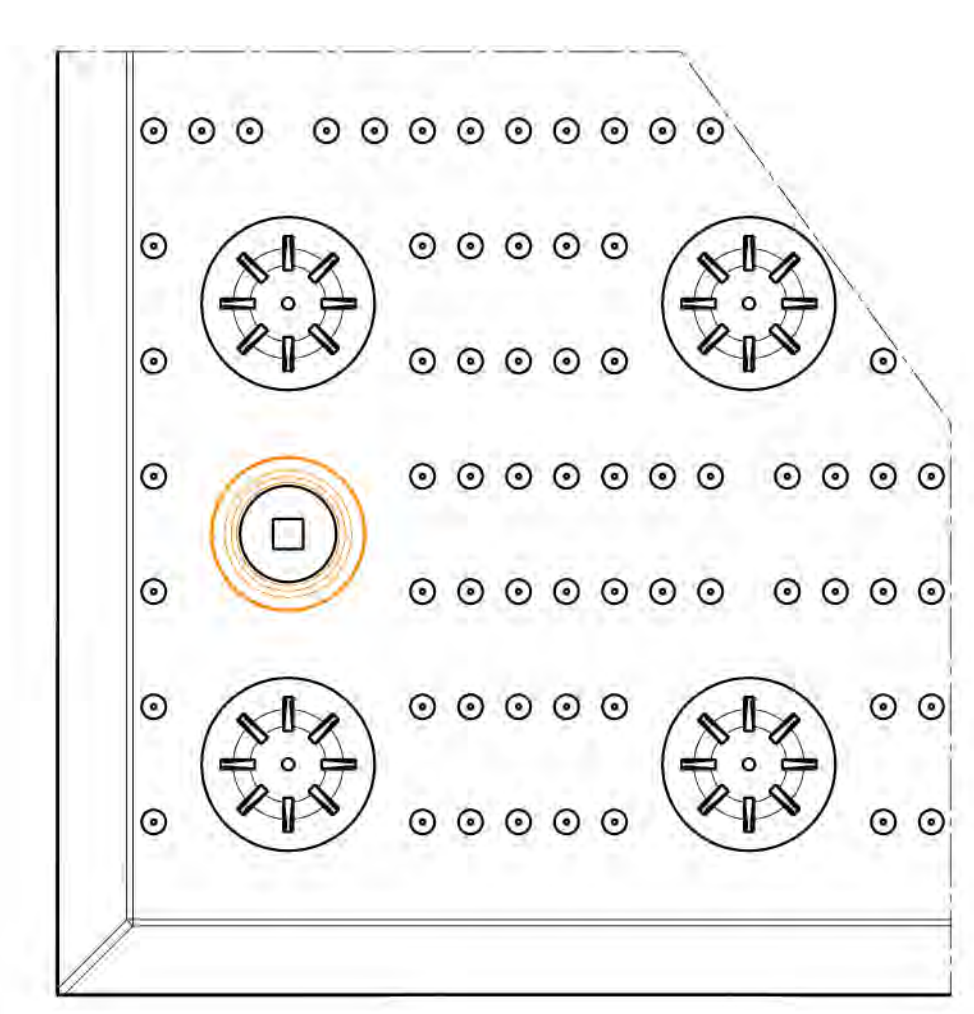
SIDE VIEW: 2-PANEL



DETAIL B
(VIEW ROTATED)

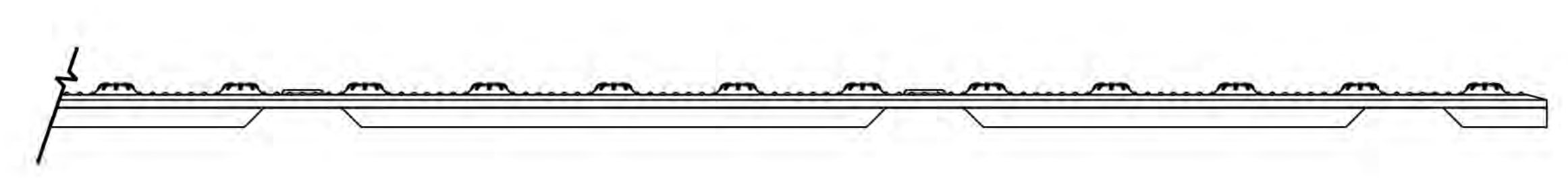


Section view A-A

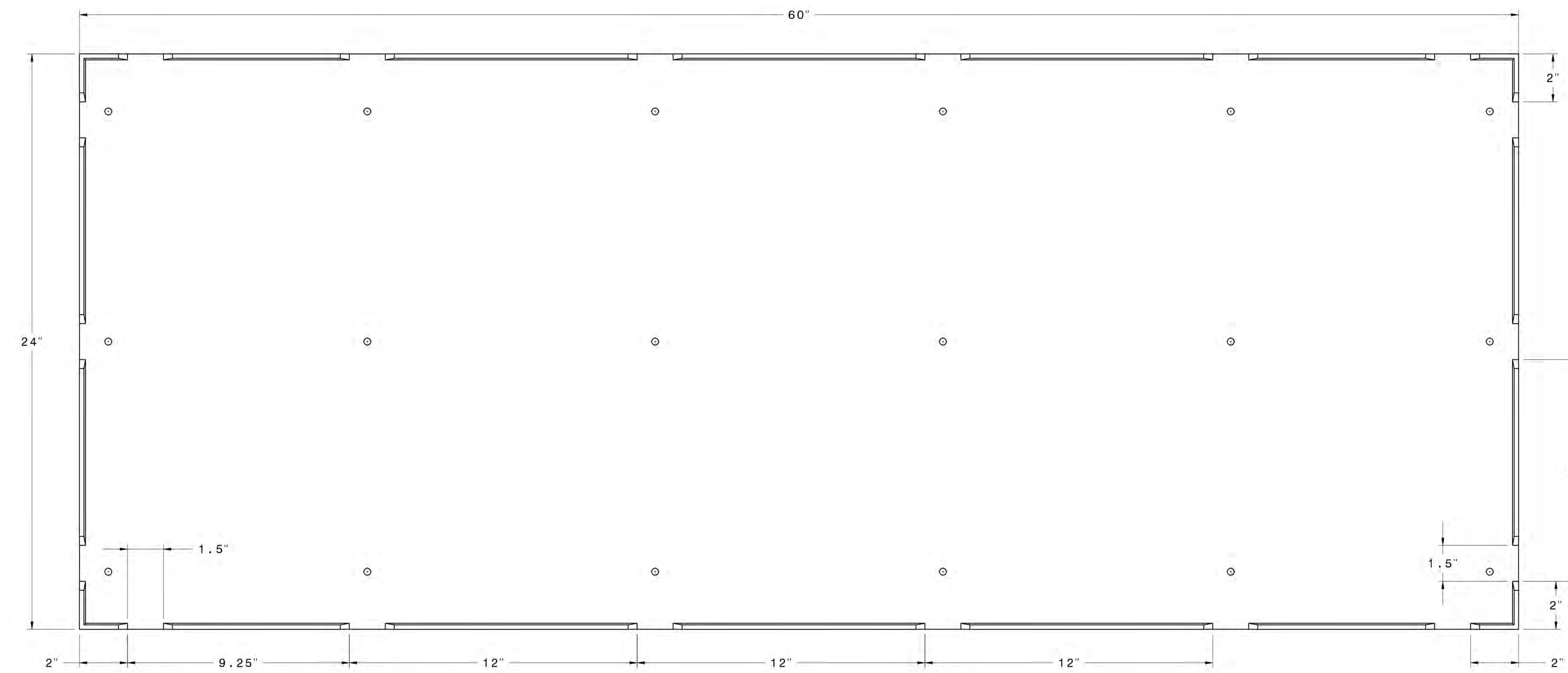


DETAIL A
(Field area micro-domes closeup)

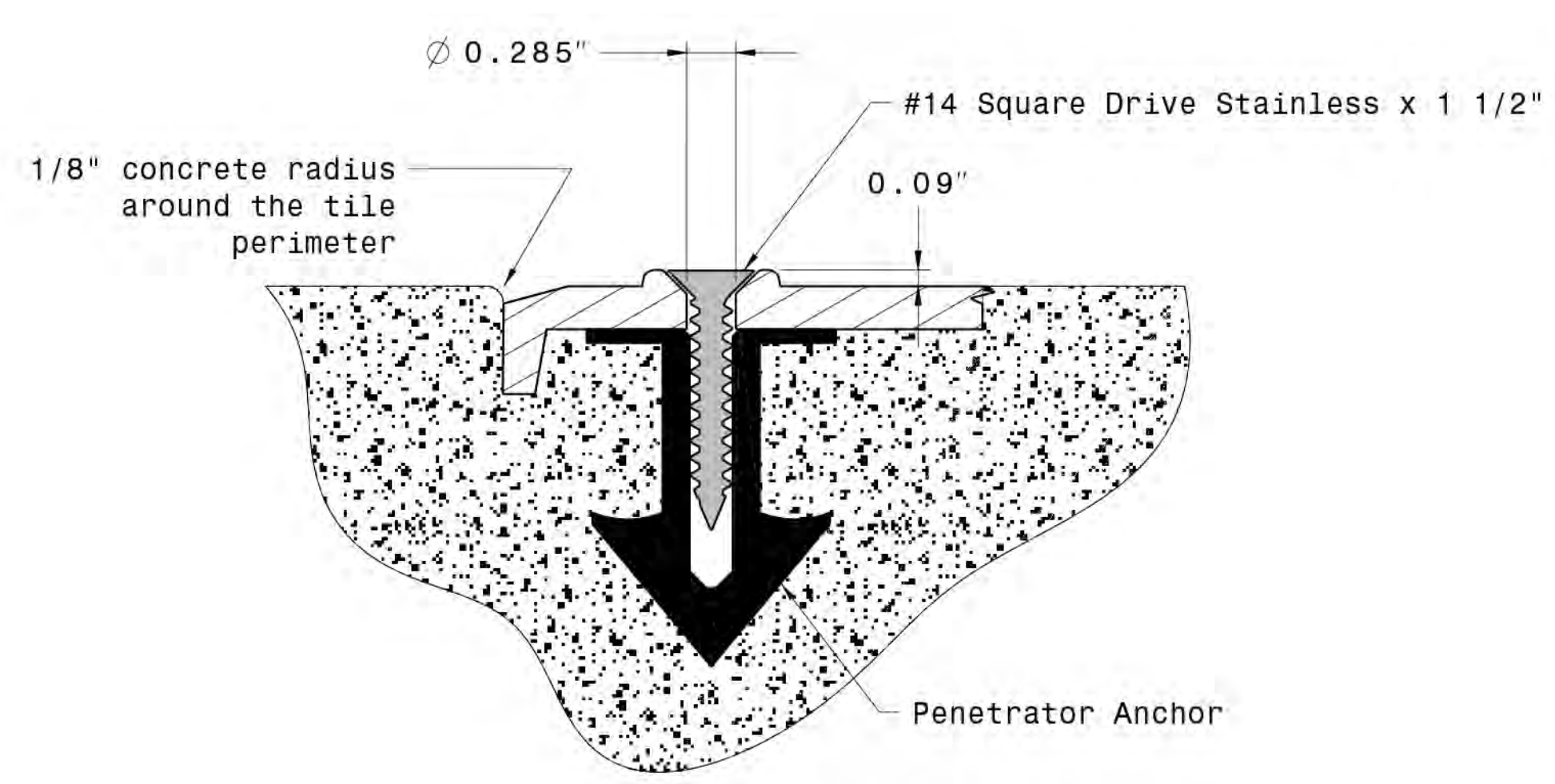
PLAN VIEW



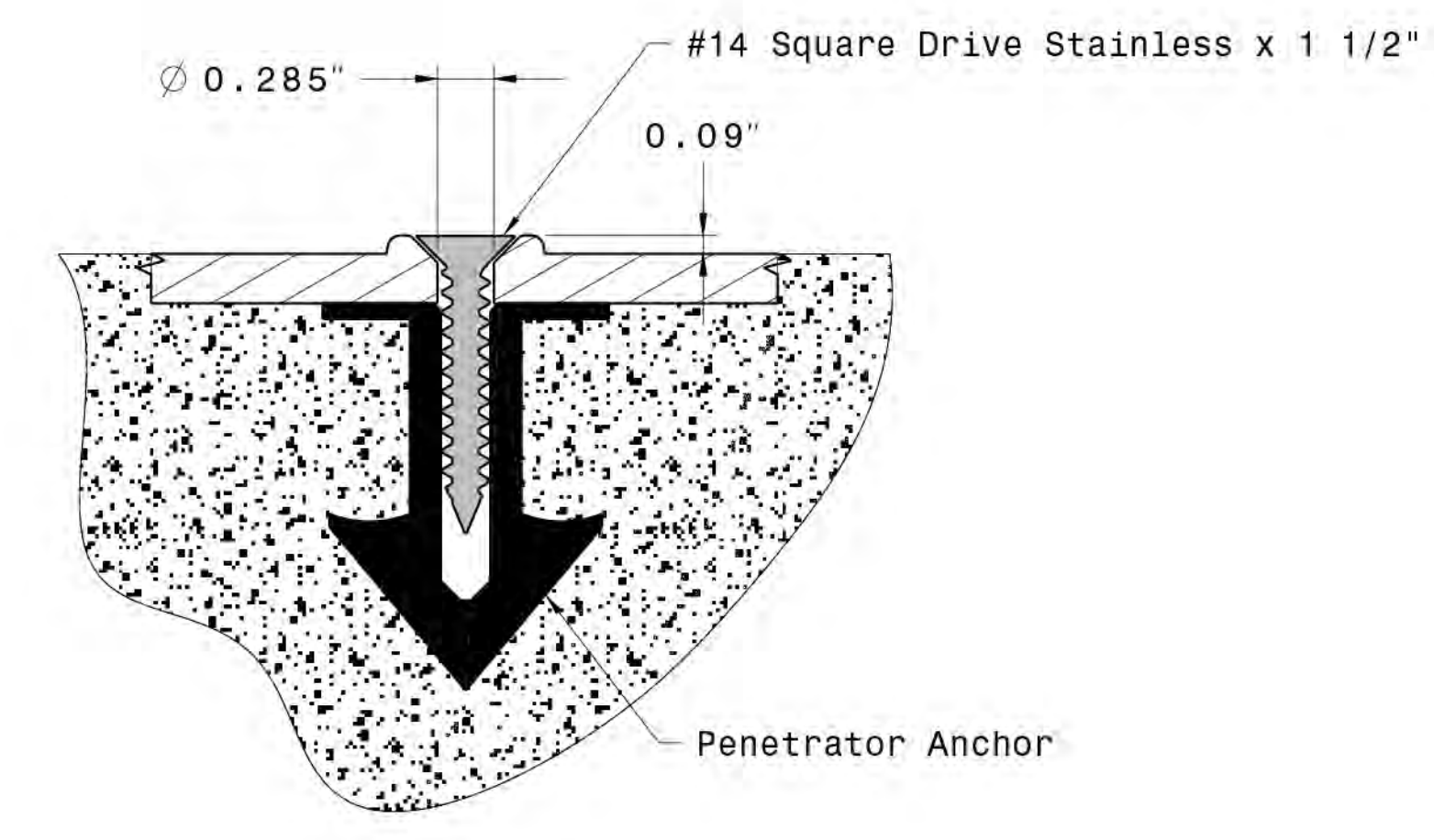
SIDE VIEW



UNDERSIDE VIEW



TYPICAL PERIMETER FASTENER DETAIL



TYPICAL INTERIOR FASTENER DETAIL

www.alerttile.com
877-232-6287

SUBJECT
alertcast
Detectable Warning System
TRUNCATED DOME, DETECTABLE
WARNING TACTILE SURFACE

MATERIAL LIST

ITEM	Description	PART No.	QTY
1	AlertCast Panel	AC-2460-XX	1
2	Stainless Screw	Alert Screw	18
3	Penetrator Anchor	PA-1	18

REVISION HISTORY

REV.	DATE	DESCRIPTION	APPROVED
A	10/12/11	1-Dimension was 0.625\"/>	

APPROVALS

DESIGNED	CHKD	DATE
AM	AM	05/05/2010
RDD	RDD	05/11/2010
AM	AM	05/14/2010

UNLESS OTHERWISE SPECIFIED
DIMENSIONS ARE IN INCHES
TOLERANCES: +/- 0.050\"/>