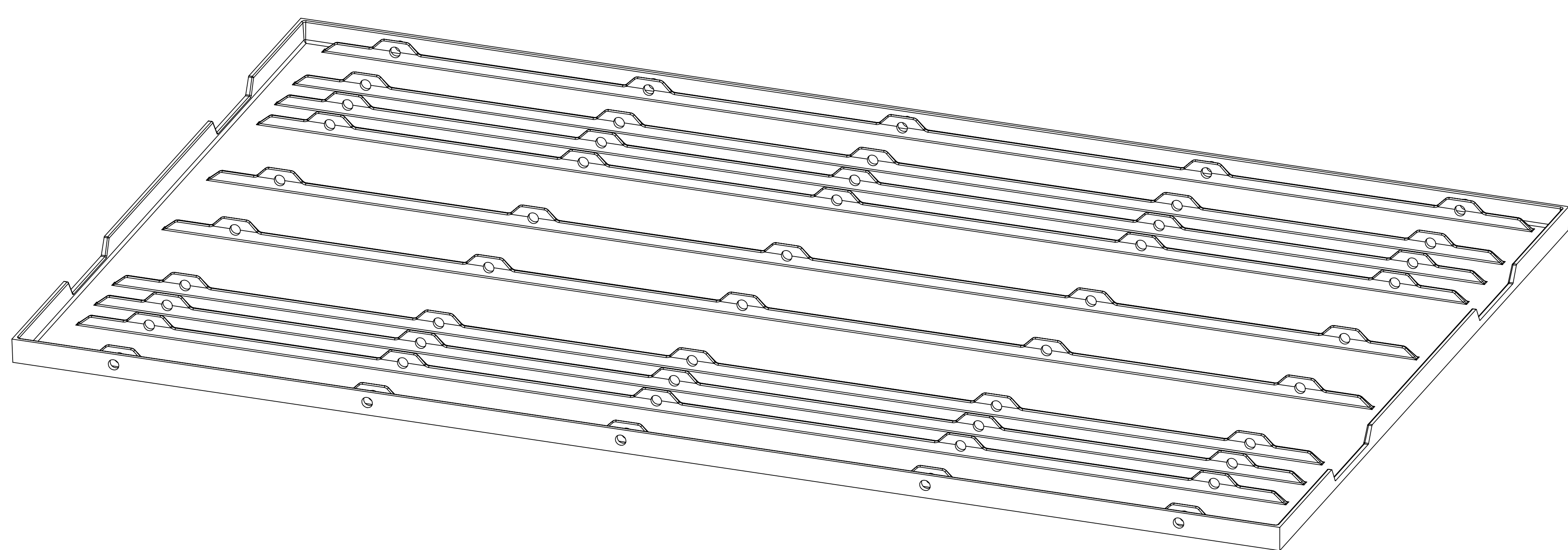
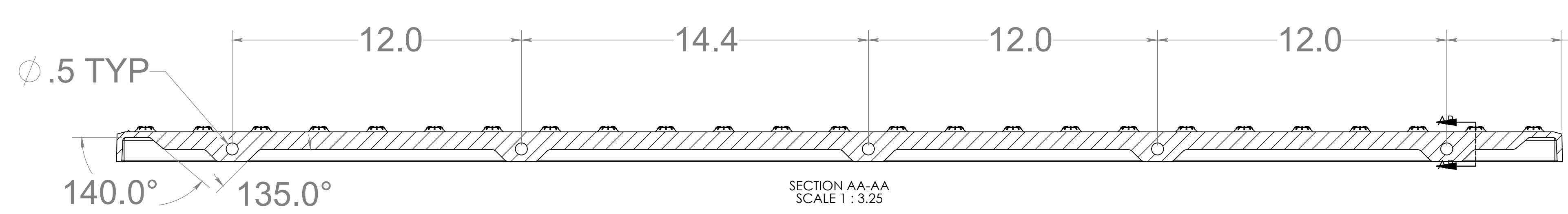


TOP VIEW

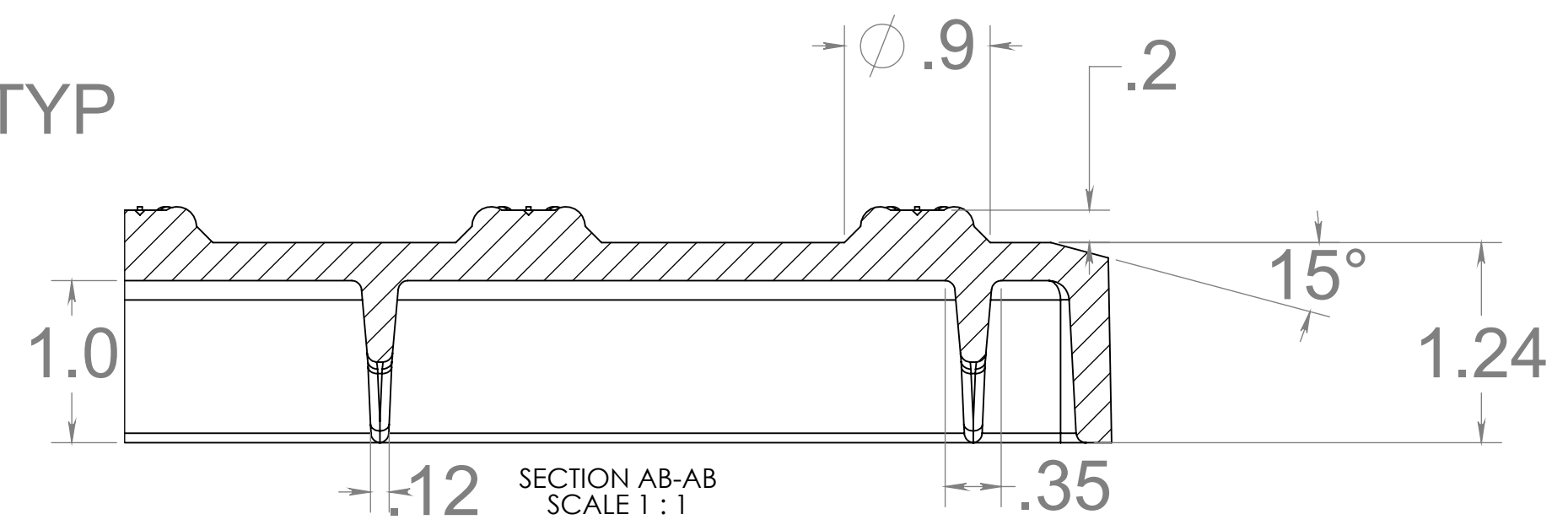
1.2" 15 domes 2.4" nom. spacing



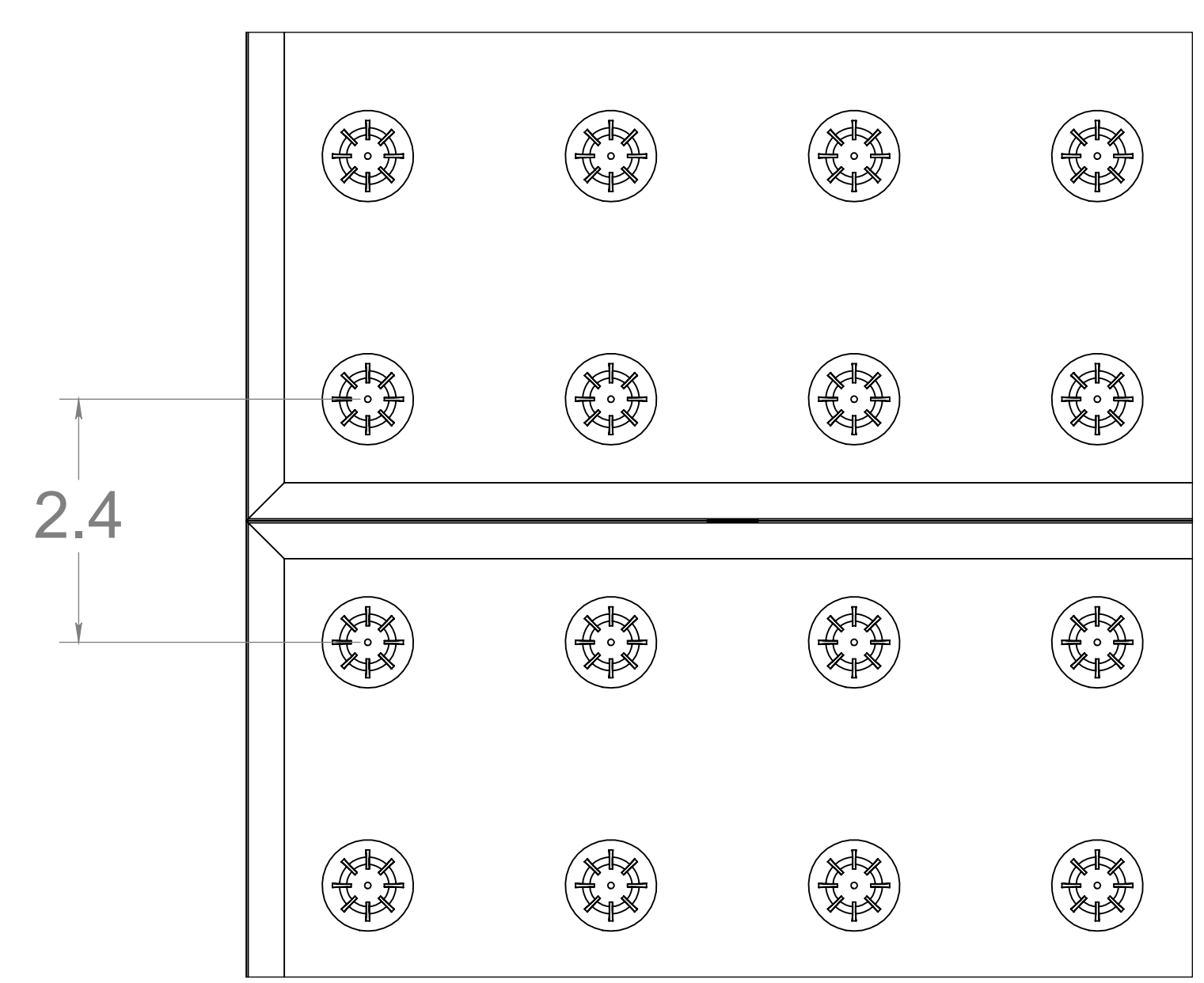
ISOMETRIC VIEW



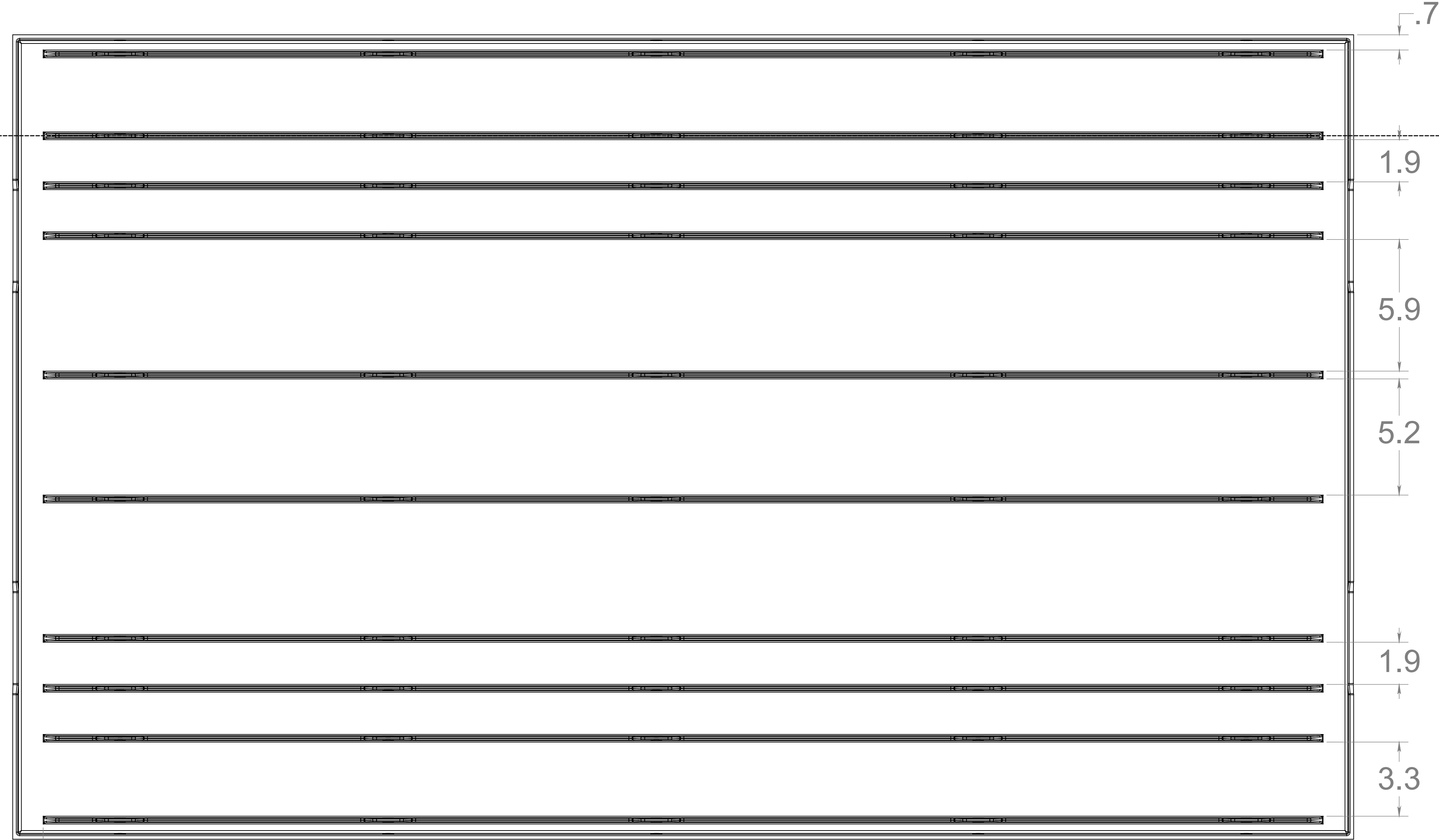
SECTION AA-AA  
SCALE 1:3.25



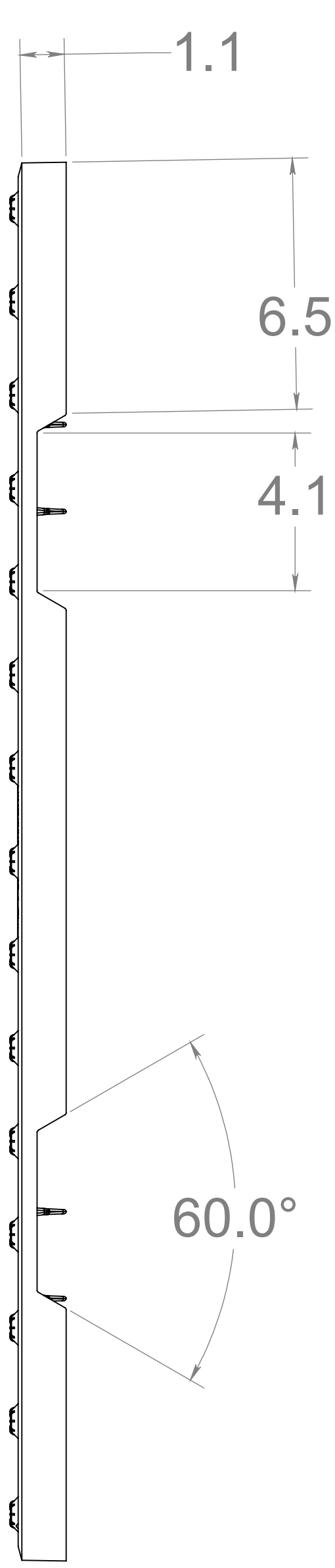
SECTION AB-AB  
SCALE 1:1



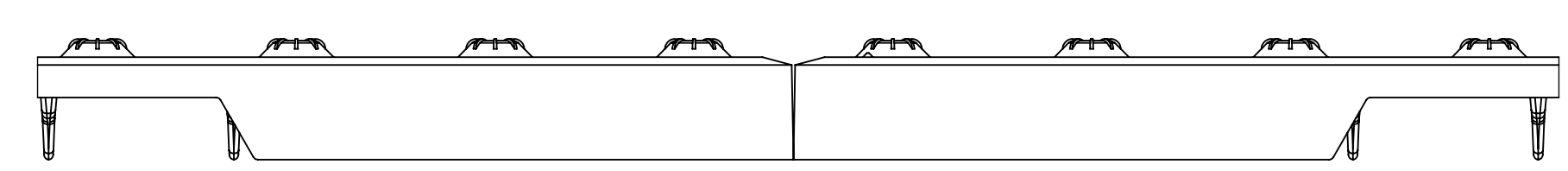
ADJACENT VIEW 2 PAVERS



BOTTOM VIEW



SIDE VIEW



ADJACENT VIEW 2 PAVERS

\*TYPICAL



DETECTABLE-WARNING.COM  
866-999-7452  
DWG. NO. AlertCast Non Replacable 36x60  
DATE: 1/10/2024 SCALE: 1:4 SHEET 1 OF 1